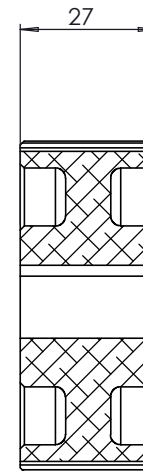
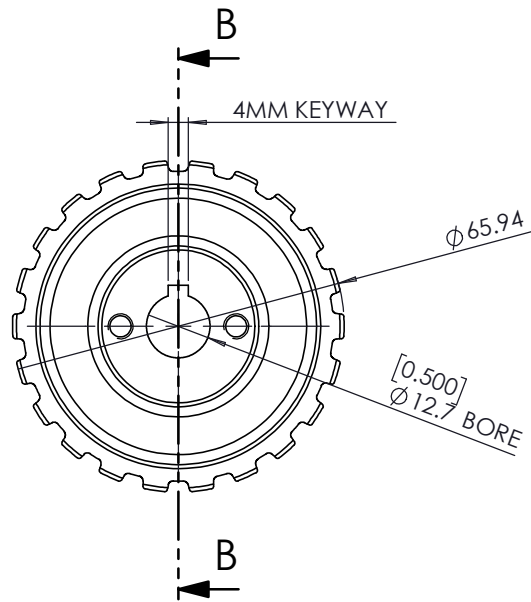


22 TOOTH "L" SECTION 3/8" PITCH PULLEY SUITABLE FOR MINI CORDIS & CORDIS PUMPS



SECTION B-B
SCALE 1 : 1

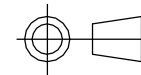


S-CAN 3D Ltd
Bunns Bank Ind Est
Atleborough NR17 1QD

UNLESS OTHERWISE STATED:
DIMENSIONS IN MILLIMETRES
TOLERANCES: LINEAR ± 0.1 ANGULAR $\pm 0.5^\circ$
SURFACE FINISH $\sqrt{\text{V}}$
DRAWING STANDARDS TO ATQS 6003
DATE FORMAT: DD/MM/YY

THIS DESIGN IS THE PROPERTY OF
S-CAN 3D LTD AND MUST NOT BE
REPRODUCED OR COMMUNICATED
WITHOUT AUTHORITY

CAD PLOT
DO NOT
SCALE



THIRD ANGLE PROJECTION

SCALE 1:1 | WEIGHT 0.15 kg

DRAWN- S.HOW

DATE - 16/08/18

CHECKED - S.HOW

APPROVED - A.CLIFTON

MATERIAL

ALUMINIUM HE30

FINISH

HARD ANODISED

DRAWING TITLE

PULLEY - PUMP - 22 TOOTH -
1" WIDE - 1/2" BORE

DRAWING NUMBER

104-204-00002

SHEET 2 OF 2 A3