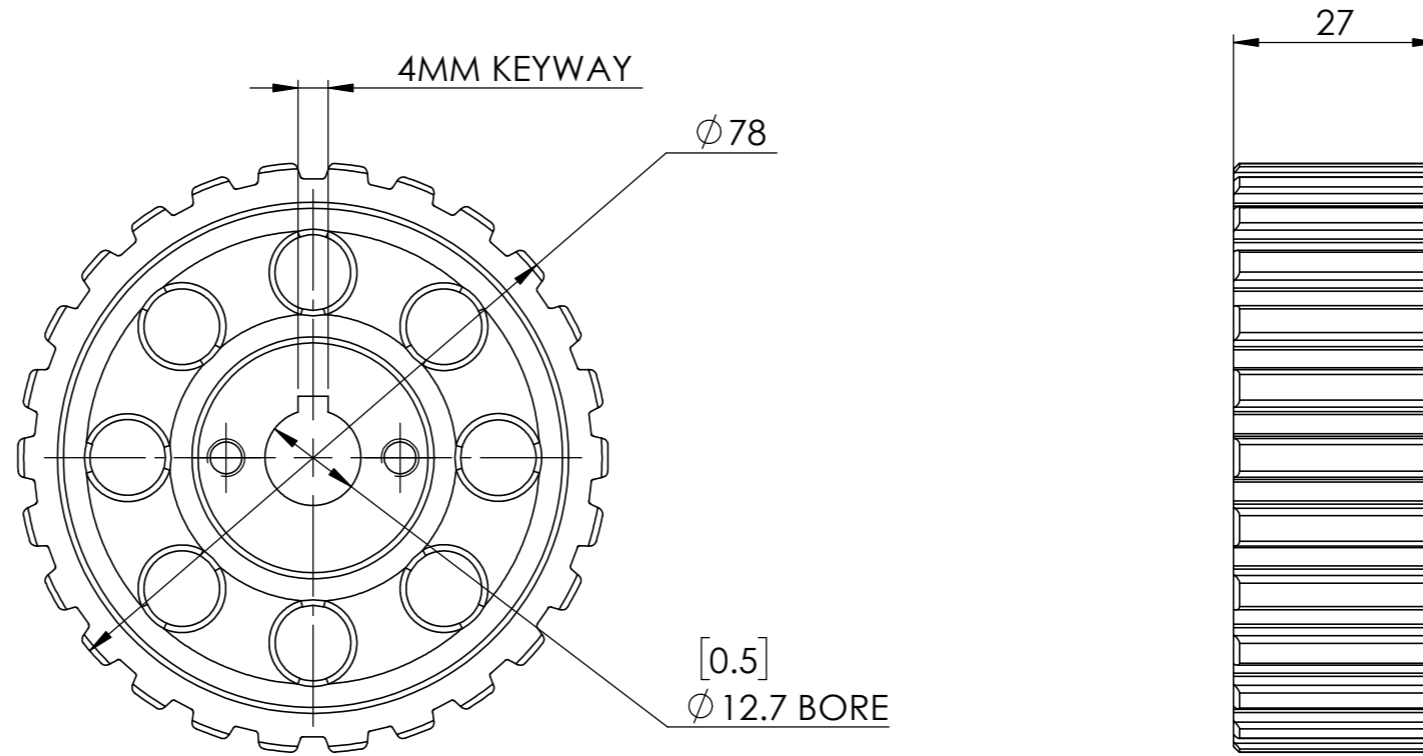

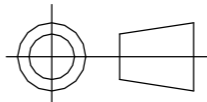


# 26 TOOTH "L" SECTION 3/8" PITCH PULLEY SUITABLE FOR MINI CORDIS & CORDIS PUMPS



 <b>S-CAN 3D Ltd</b> Bunn's Bank Ind Est Attleborough NR17 1QD	 THIRD ANGLE PROJECTION		MATERIAL ALUMINIUM HE30
	SCALE 1:1	WEIGHT 0.17 kg	FINISH HARD ANODISED
UNLESS OTHERWISE STATED: DIMENSIONS IN MILLIMETRES TOLERANCES: LINEAR ± 0.1 ANGULAR ± 0.5° SURFACE FINISH √ = √ DRAWING STANDARDS TO ATQS 6003 DATE FORMAT: DD/MM/YY THIS DESIGN IS THE PROPERTY OF S-CAN 3D LTD AND MUST NOT BE REPRODUCED OR COMMUNICATED WITHOUT AUTHORITY	DRAWN- S.HOW	DRAWING TITLE <b>PULLEY - PUMP - 26 TOOTH - 1" WIDE - 1/2" BORE</b>	
	DATE - 16/08/18	DRAWING NUMBER <b>104-204-00005</b>	
	CHECKED - S.HOW	SHEET 2 OF 2 A3	
CAD PLOT DO NOT SCALE	APPROVED - A.CLIFTON		