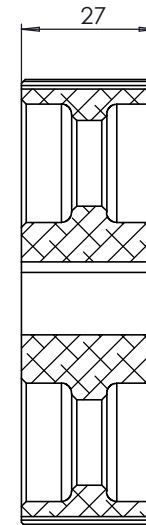
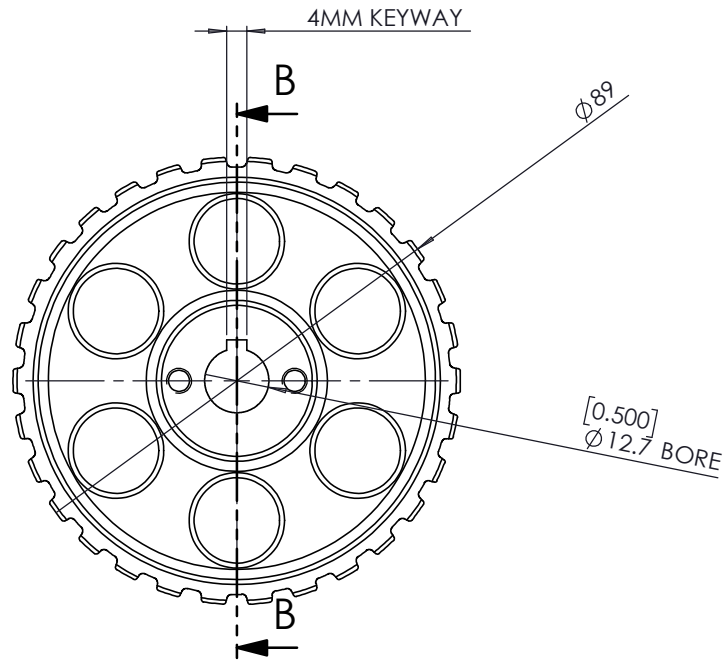

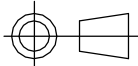


30 TOOTH "L" SECTION 3/8" PITCH PULLEY SUITABLE FOR MINI CORDIS & CORDIS PUMPS



SECTION B-B

 S-CAN 3D Ltd Bunsns Bank Ind Est Attleborough NR17 1QD	 THIRD ANGLE PROJECTION		MATERIAL
	SCALE 1:1	WEIGHT 0.18 kg	ALUMINIUM HE30
<small>UNLESS OTHERWISE STATED: DIMENSIONS IN MILLIMETRES TOLERANCES: LINEAR ± 0.1 ANGULAR ± 0.5° SURFACE FINISH √ = √ DRAWING STANDARDS TO ATQS 6003 DATE FORMAT: DD/MM/YY THIS DESIGN IS THE PROPERTY OF S-CAN 3D LTD AND MUST NOT BE REPRODUCED OR COMMUNICATED WITHOUT AUTHORITY</small>	DRAWN- S.HOW	FINISH HARD ANODISED	
	DATE - 16/08/18	DRAWING TITLE PULLEY - PUMP - 30 TOOTH - 1" WIDE - 1/2" BORE	
	CHECKED - S.HOW	DRAWING NUMBER 104-204-00007	
<small>CAD PLOT DO NOT SCALE</small>	APPROVED - A.CLIFTON	<small>SHEET 2 of 2 A3</small>	