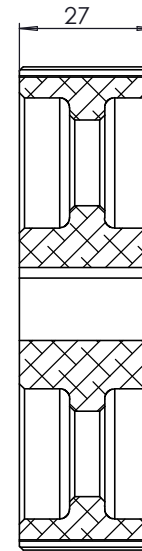
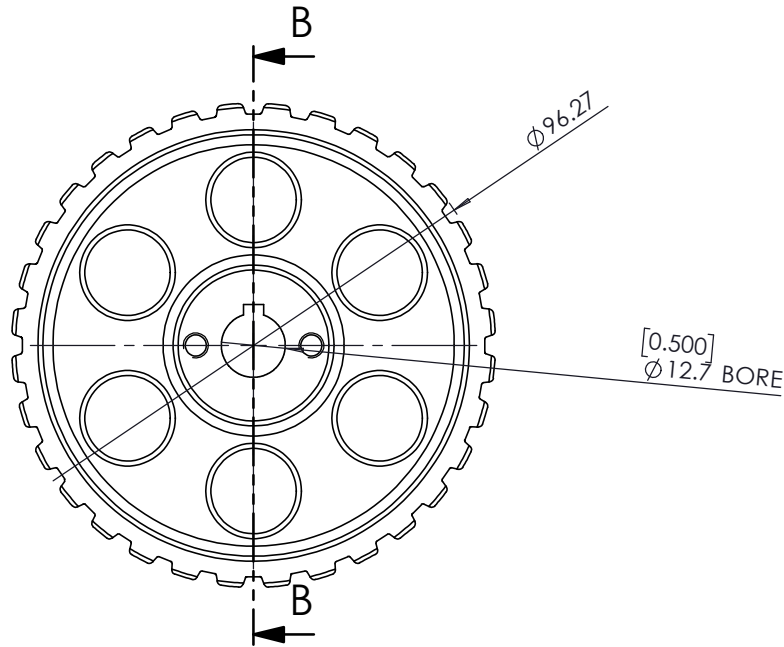

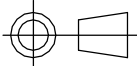


32 TOOTH "L" SECTION 3/8" PITCH PULLEY SUITABLE FOR MINI CORDIS & CORDIS PUMPS



SECTION B-B

| | | | | |
|--------------------------------------------------------------------------------------------------------------------------------------------------------------|-----------------------------------------------------------------------------------------------------------------------------------------------------------------------------------------------------------------------------------------------------------------------------------------------------------------------------------------------|--------------|---------------------------------------------------|----------------|
|  S-CAN 3D Ltd Bunn's Bank Ind Est Attleborough NR17 1QD |  THIRD ANGLE PROJECTION | | MATERIAL | ALUMINIUM HE30 |
| | UNLESS OTHERWISE STATED: DIMENSIONS IN MILLIMETRES TOLERANCES: LINEAR ± 0.1 ANGULAR $\pm 0.5^\circ$ SURFACE FINISH $\sqrt{\quad} = \sqrt{\quad}$ DRAWING STANDARDS TO ATQS 6003 DATE FORMAT: DD/MM/YY THIS DESIGN IS THE PROPERTY OF S-CAN 3D LTD AND MUST NOT BE REPRODUCED OR COMMUNICATED WITHOUT AUTHORITY | SCALE 1:1 | WEIGHT 0.22 kg | FINISH |
| | DRAWN- | S.HOW | DRAWING TITLE | |
| | DATE - | 16/08/18 | PULLEY - PUMP - 32 TOOTH - 1" WIDE - 1/2" BORE | |
| | CHECKED - | S.HOW | DRAWING NUMBER | |
| | APPROVED - | A.CLIFTON | 104-204-00009 | |
| | | | SHEET 2 of 2 A3 | |