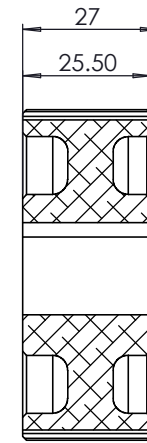
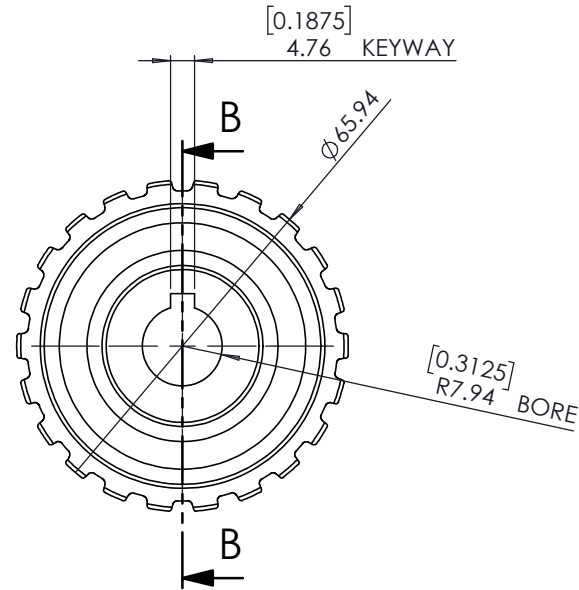

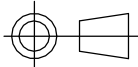


22 TOOTH "L" SECTION 3/8" PITCH PULLEY SUITABLE FOR MAGNA CORDIS PUMPS



SECTION B-B

SCALE 1 : 1

 S-CAN 3D Ltd Bunsns Bank Ind Est Attleborough NR17 1QD	 THIRD ANGLE PROJECTION	MATERIAL	ALUMINIUM HE30
		FINISH	HARD ANODISED
<small>UNLESS OTHERWISE STATED: DIMENSIONS IN MILLIMETRES TOLERANCES: LINEAR ± 0.1 ANGULAR ± 0.5° SURFACE FINISH √ = √ DRAWING STANDARDS TO ATQS 6003 DATE FORMAT: DD/MM/YY THIS DESIGN IS THE PROPERTY OF S-CAN 3D LTD AND MUST NOT BE REPRODUCED OR COMMUNICATED WITHOUT AUTHORITY</small>	SCALE	WEIGHT	DRAWING TITLE PULLEY - PUMP - 22 TOOTH - 1" WIDE - 5/8" BORE
	2:1	0.14 kg	
	DRAWN-	M.DAVIS	
	DATE -	07/01/15	DRAWING NUMBER 104-204-00020
	CHECKED -	S.HOW	
	APPROVED -	A.CLIFTON	SHEET 2 of 2 A3