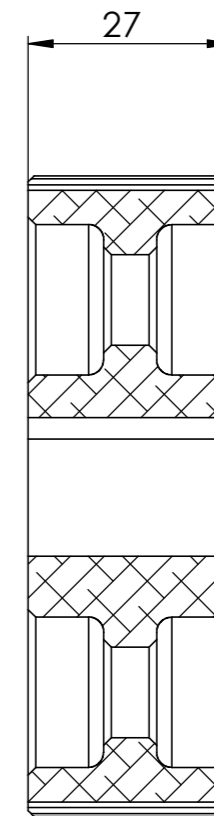
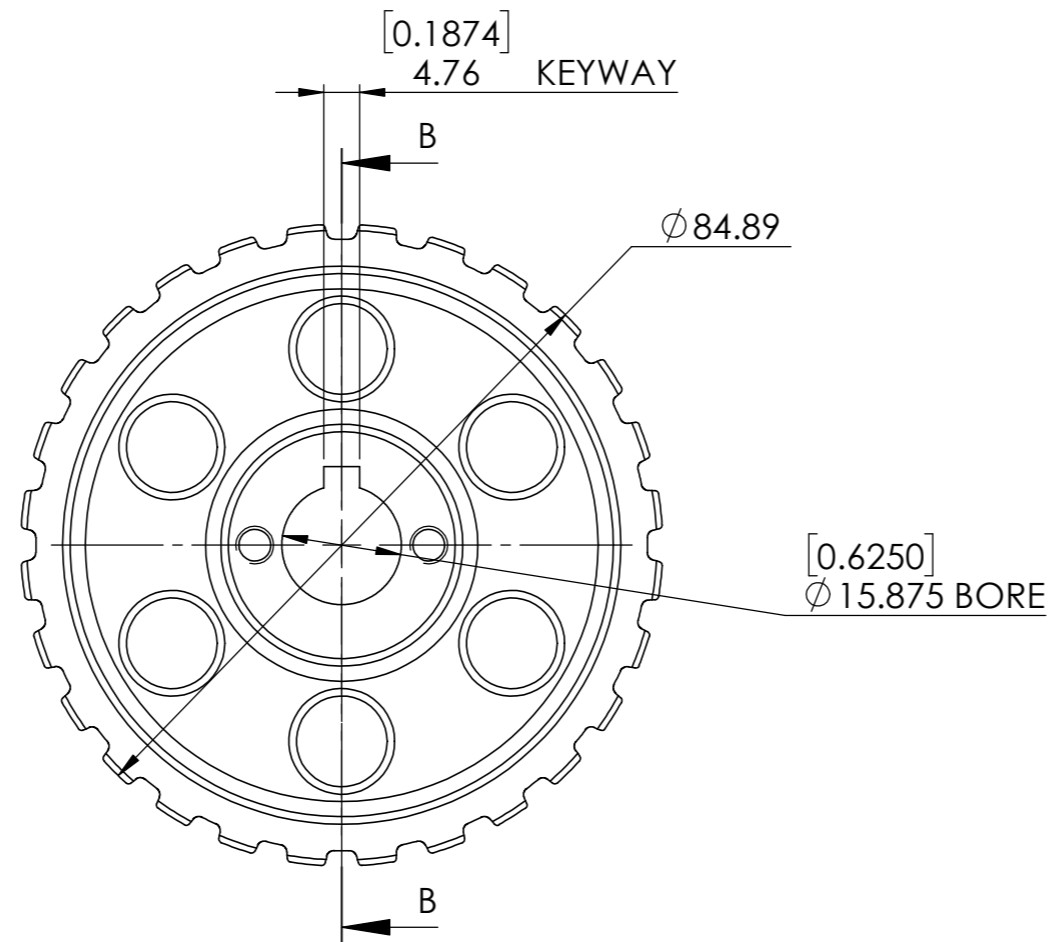

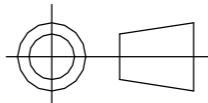


28 TOOTH "L" SECTION 3/8" PITCH PULLEY SUITABLE FOR MAGNA CORDIS PUMPS



SECTION B-B

 S-CAN 3D Ltd Bunn's Bank Ind Est Attleborough NR17 1QD	 THIRD ANGLE PROJECTION		MATERIAL ALUMINIUM HE30
	SCALE 1:1	WEIGHT 0.19 kg	FINISH HARD ANODISED
UNLESS OTHERWISE STATED: DIMENSIONS IN MILLIMETRES TOLERANCES: LINEAR ± 0.1 ANGULAR ± 0.5° SURFACE FINISH √ = √ DRAWING STANDARDS TO ATQS 6003 DATE FORMAT: DD/MM/YY THIS DESIGN IS THE PROPERTY OF S-CAN 3D LTD AND MUST NOT BE REPRODUCED OR COMMUNICATED WITHOUT AUTHORITY	DRAWN- S.HOW	DRAWING TITLE PULLEY - PUMP - 28 TOOTH - 1" WIDE - 5/8" BORE	
	DATE - 16/08/18	DRAWING NUMBER 104-204-00023	
	CHECKED - S.HOW	SHEET 2 OF 2 A3	
CAD PLOT DO NOT SCALE	APPROVED - A.CLIFTON		