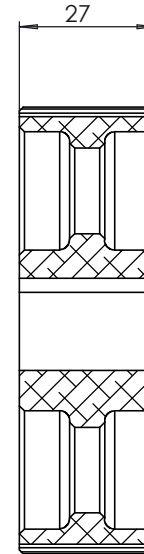
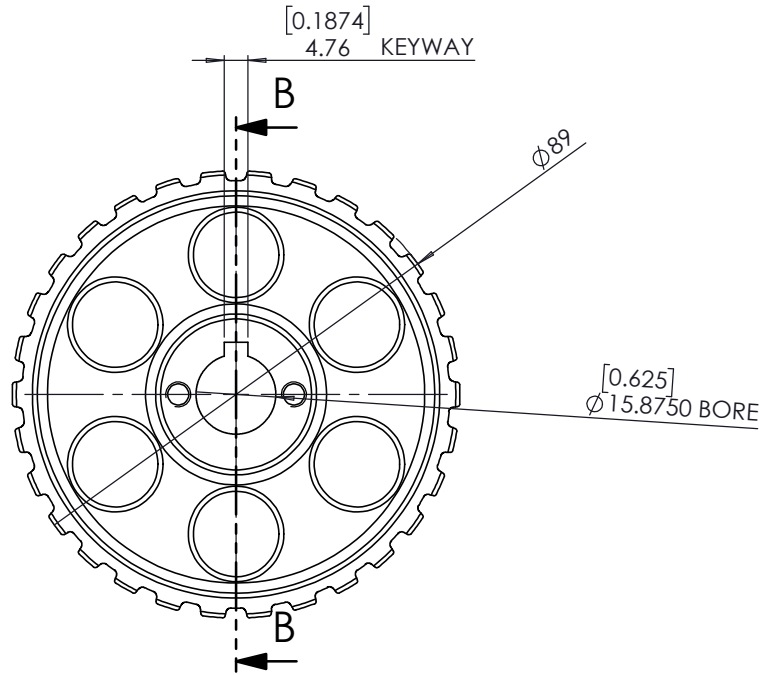

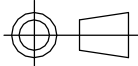


30 TOOTH "L" SECTION 3/8" PITCH PULLEY SUITABLE FOR MAGNA CORDIS PUMPS



SECTION B-B

 S-CAN 3D Ltd Bunn's Bank Ind Est Attleborough NR17 1QD	 THIRD ANGLE PROJECTION		MATERIAL
	SCALE 1:1	WEIGHT 0.17 kg	ALUMINIUM HE30
<small>UNLESS OTHERWISE STATED: DIMENSIONS IN MILLIMETRES TOLERANCES: LINEAR ± 0.1 ANGULAR ± 0.5° SURFACE FINISH √ = √ DRAWING STANDARDS TO ATQS 6003 DATE FORMAT: DD/MM/YY THIS DESIGN IS THE PROPERTY OF S-CAN 3D LTD AND MUST NOT BE REPRODUCED OR COMMUNICATED WITHOUT AUTHORITY</small>	DRAWN- S.HOW	FINISH	
	DATE - 16/08/18	HARD ANODISED	
	CHECKED - S.HOW	DRAWING TITLE	
APPROVED - A.CLIFTON	CAD PLOT DO NOT SCALE	PULLEY - PUMP - 30 TOOTH - 1" WIDE - 5/8" BORE	
		DRAWING NUMBER	
		104-204-00024	
		SHEET 2 OF 2 A3	