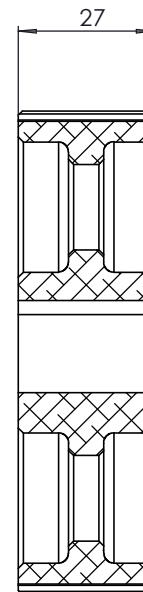
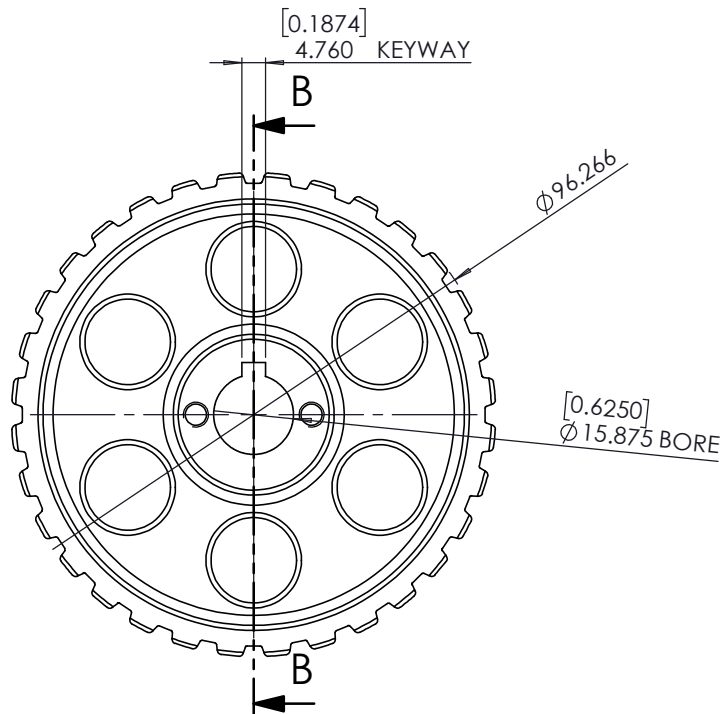


# 32 TOOTH "L" SECTION 3/8" PITCH PULLEY SUITABLE FOR MAGNA CORDIS PUMPS



SECTION B-B

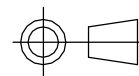


S-CAN 3D Ltd  
Bunns Bank Ind Est  
Attleborough NR17 1QD

UNLESS OTHERWISE STATED:  
DIMENSIONS IN MILLIMETRES  
TOLERANCES: LINEAR  $\pm 0.1$  ANGULAR  $\pm 0.5^\circ$   
SURFACE FINISH  $\sqrt{\text{V}}$   
DRAWING STANDARDS TO ATQS 6003  
DATE FORMAT: DD/MM/YY

THIS DESIGN IS THE PROPERTY OF  
S-CAN 3D LTD AND MUST NOT BE  
REPRODUCED OR COMMUNICATED  
WITHOUT AUTHORITY

CAD PLOT  
DO NOT  
SCALE



THIRD ANGLE PROJECTION

SCALE 1:1 | WEIGHT 0.21 kg

DRAWN- S.HOW

DATE - 16/08/18

CHECKED - S.HOW

APPROVED - A.CLIFTON

MATERIAL

ALUMINIUM HE30

FINISH

HARD ANODISED

DRAWING TITLE

PULLEY - PUMP - 32 TOOTH -  
1" WIDE - 5/8" BORE

DRAWING NUMBER

104-204-00025

SHEET 2 OF 2 A3