

**S-CAN 3D Ltd.**

Unit 10b,  
Bunn's Bank Ind Est,  
Attleborough  
Norfolk, UK  
NR17 1QD

Tel: +44 (0)1953 857800  
Email: [info@atpowerthrottles.com](mailto:info@atpowerthrottles.com)  
Web: [www.atpower.com](http://www.atpower.com)



## Variohm Euro XPK Puck Type - Programmable sensor

Puck and magnet design

Hall Effect non-contacting technology IP68 protection

Long life - extremely robust

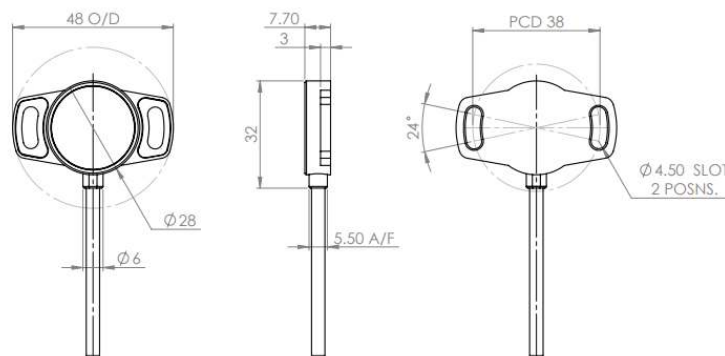
Programmable angles from 30° up to 360

IP68 protection

Redundant output

Based on the well proven 28 mm diameter Euro-XP angle sensor, the puck option is a two piece design with a separate magnet. With redundant output this compact and fully non-contacting Hall Effect sensor features IP68 sealing and will suit arduous high-duty cycle position feedback applications.

<b>Mechanical</b>	
Typical Life Cycle	In excess of 100 million cycles
Measuring range	360° redundant, signal 1 cw, signal 2 ccw
Housing	High grade temperature resistant plastic
<b>Environmental</b>	
Operating temperature	-40° C to +125° C (Short term 150° C)
Vibration	5...2000 Hz; Amax = 0.75 mm; amax = 20g to IEC 60068-2-6
IP rating	IP68 (minimum)
<b>Electrical</b>	
Supply Voltage	5V+/- 0.5V
Output signal	Ratiometric 5%...95% of supply (+/-25mv of specified electrical output range for both start & end voltage)
Independent linearity	+/- 0.5% of each signal range
Sample Rate (Fast Mode)	5 kHz
System Propagation Delay (Fast Mode)	600 µs
Isolation resistance	200 MΩ (500 VDC, 1 bar, 2s)
Cable type	Raychem Spec 55, 24 AWG; Sleeving - Raychem DR25



We reserve the right to modify this file's content or make technical changes without notice. For purchase orders, agreed terms take precedence. S-CAN 3D Ltd. accepts no liability for errors or omissions in this document.

Copyright Notice © S-CAN 3D Ltd.