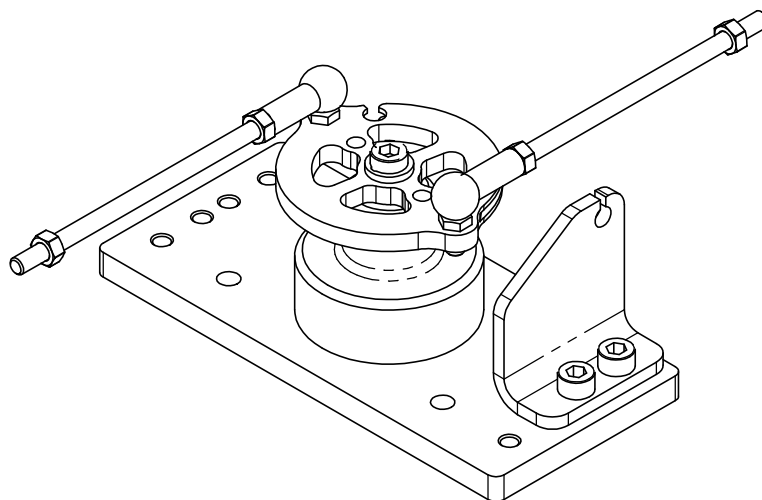


4

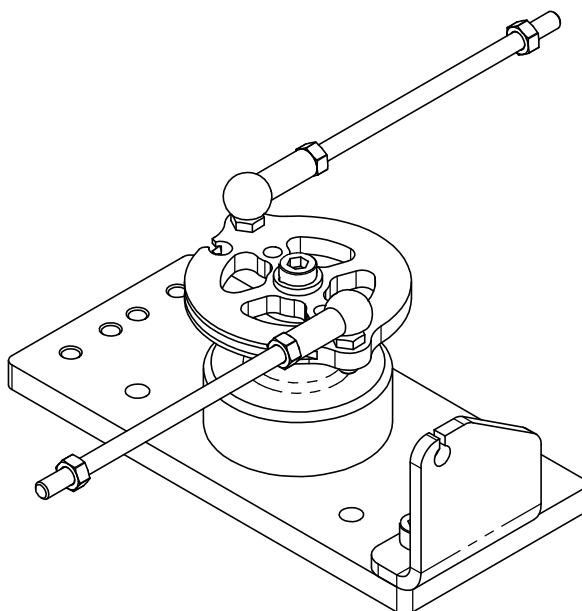
3

2

1



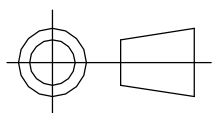
LEFT PULL CONFIGURATION



RIGHT PULL CONFIGURATION



S-CAN 3D Ltd
Bunns Bank Ind Est,
Attleborough, NR17 1QD, UK



THIRD ANGLE PROJECTION

SCALE
 1:1

WEIGHT
 0.5g

DRAWN - S.HOW

DATE - 10/11/25

CHECKED - S.HOW

APPROVED - S.HOW

MATERIAL

SEE COMPONENT PARTS

FINISH

SEE COMPONENT PARTS

DRAWING TITLE

ASSY - LINKAGE - CENTER -
SPINDLE - UNIVERSAL V-LINKAGE -
WITH LINKAGE

DRAWING NUMBER

102-103-00285

SHEET 3 OF 3 A4

UNLESS OTHERWISE STATED:
 DIMENSIONS IN MILLIMETRES
 TOLERANCES: LINEAR ± 0.1 ANGULAR $\pm 0.5^\circ$
 SURFACE FINISH $\nabla = \nabla$
 DRAWING STANDARDS TO ATQS 6003
 DATE FORMAT: DD/MM/YY

THIS DESIGN IS THE PROPERTY OF
 S-CAN 3D LTD AND
 MUST NOT BE REPRODUCED OR
 COMMUNICATED WITHOUT
 AUTHORITY

CAD PLOT
 DO NOT
 SCALE

4

3

2

1