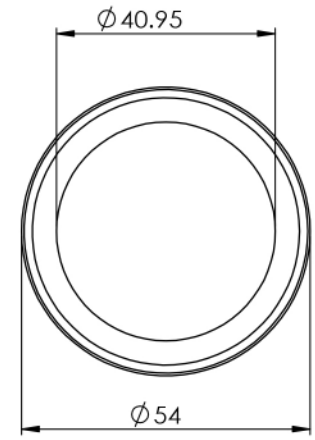
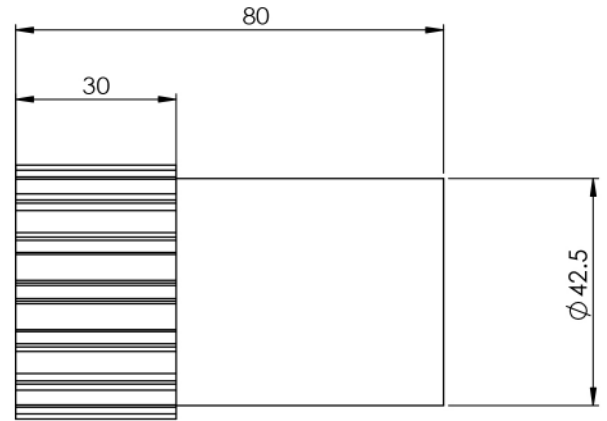
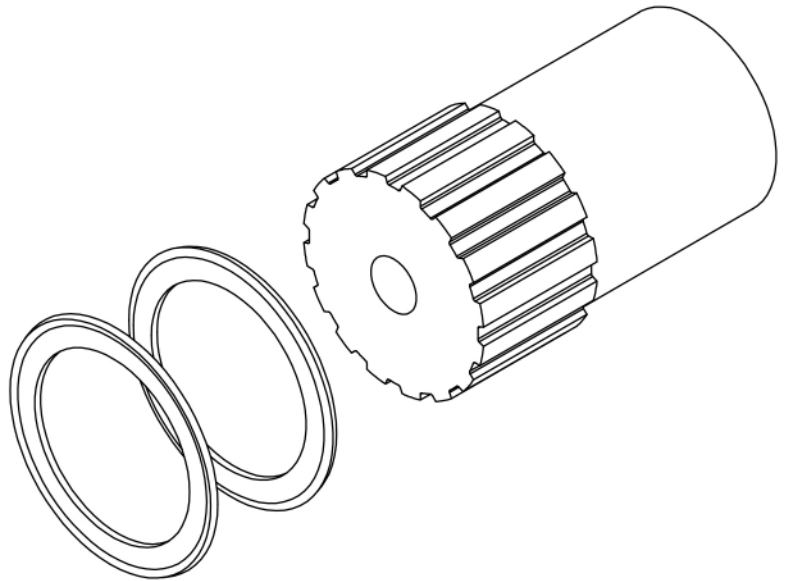


16 TOOTH GEAR BLANK FOR MACHINING



SIDE RINGS FOR TACK WELDING EITHER SIDE OF THE TOOTH FORM



<p>COPYRIGHT © 2024 S-CAN 3D LTD Unit 10b, Bunn's Bank Ind Est, Attleborough Norfolk, UK, NR17 1QD</p>	<p>THIRD ANGLE PROJECTION</p>		MATERIAL
	SCALE 1:1	WEIGHT 0.9 kg	SEE COMPONENT PARTS
<p>UNLESS OTHERWISE STATED: DIMENSIONS IN MILLIMETRES TOLERANCES: LINEAR <math>\pm 0.1</math> ANGULAR <math>\pm 0.5^\circ</math> SURFACE FINISH <math>\sqrt{\text{V}}</math> = <math>\sqrt{\text{V}}</math> DRAWING STANDARDS TO ATQS 6003 DATE FORMAT: DD/MM/YY</p>	DRAWN- M.Davis	FINISH	
	DATE - 31/03/14	NATURAL	DRAWING TITLE
<p>THIS DESIGN IS THE PROPERTY OF S-CAN 3D LTD AND MUST NOT BE PRODUCED OR REPLICATED WITHOUT AUTHORITY</p>	CHECKED - S.HOW	<p>ASSY - PULLEY - CRANK - 16 TOOTH - BLANK</p>	DRAWING NUMBER
	APPROVED - S.HOW		105-106-00008