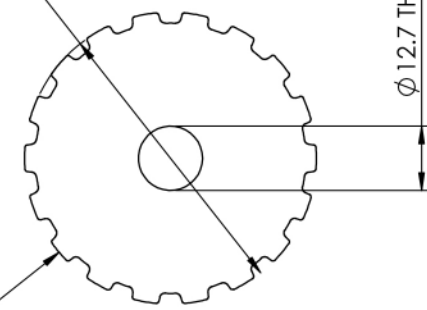


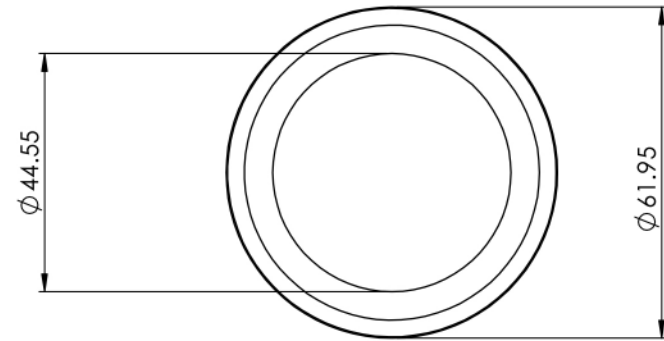
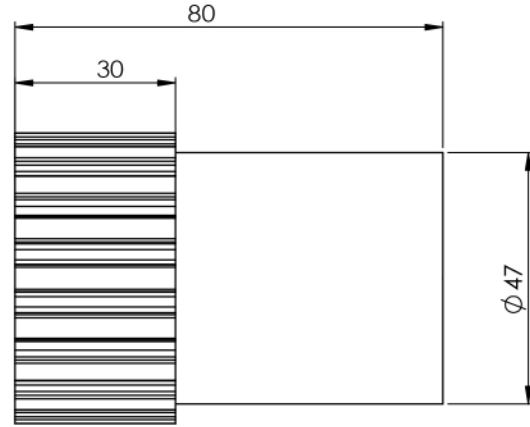
Ø 53.82

Ø 12.7 THRU

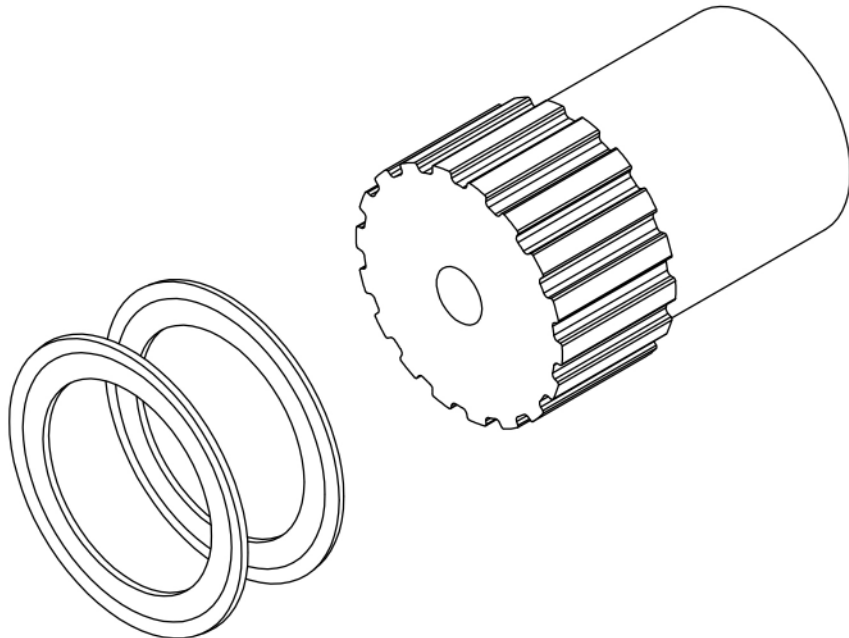
"L" SECTION 3/8" PITCH TOOTH PROFILE


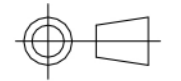


18 TOOTH GEAR BLANK FOR MACHINING



SIDE RINGS FOR TACK WELDING EITHER SIDE OF THE TOOTH FORM



 COPYRIGHT © 2024 S-CAN 3D LTD Unit 10b, Bunn's Bank Ind Est, Attleborough Norfolk, UK, NR17 1QD	 THIRD ANGLE PROJECTION		MATERIAL SEE COMPONENT PARTS
	SCALE 1:1	WEIGHT 1.2 kg	FINISH NATURAL
UNLESS OTHERWISE STATED: DIMENSIONS IN MILLIMETRES TOLERANCES: LINEAR ± 0.1 ANGULAR ± 0.5° SURFACE FINISH: √ = √ DRAWING STANDARDS TO ATQS 6003 DATE FORMAT: DD/MM/YY	DRAWN- M.Davis		DRAWING TITLE ASSY - PULLEY - CRANK - 18 TOOTH - BLANK
	DATE - 31/03/14		DRAWING NUMBER 105-106-00009
THIS DESIGN IS THE PROPERTY OF S-CAN 3D LTD AND MUST NOT BE PRODUCED OR REPLICATED WITHOUT AUTHORITY	CAD PLOT DO NOT SCALE	CHECKED - S.HOW	SHEET 2 OF 2 A3
		APPROVED - S.HOW	