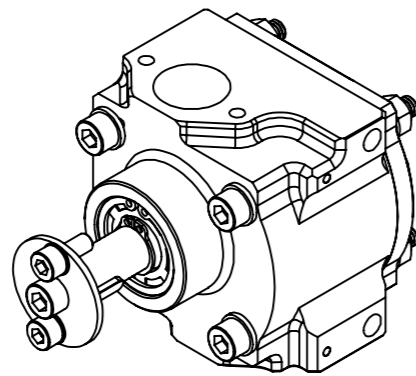
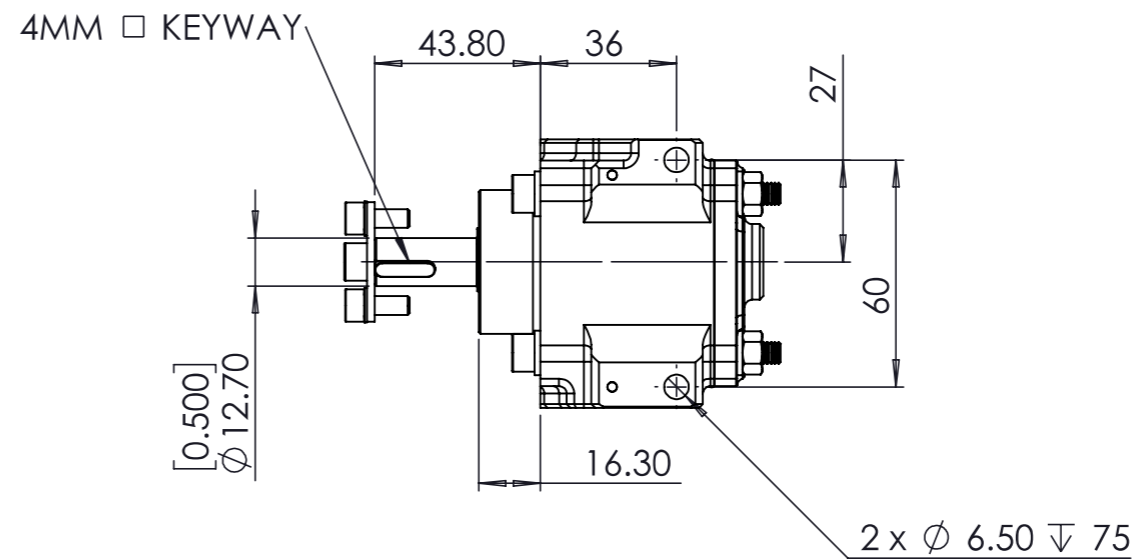
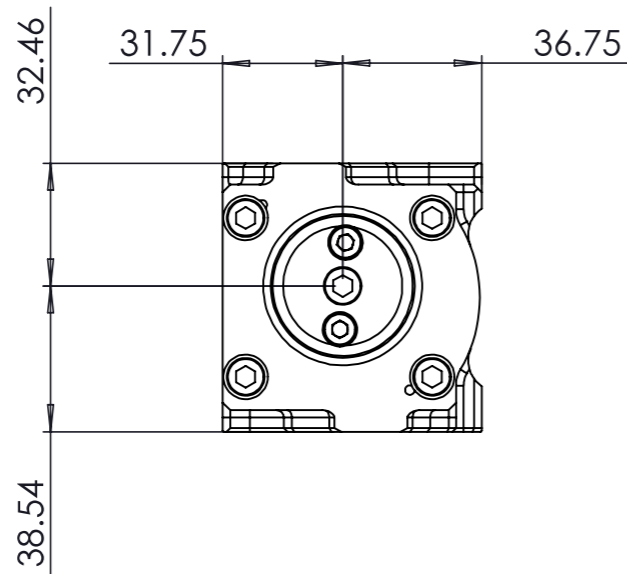
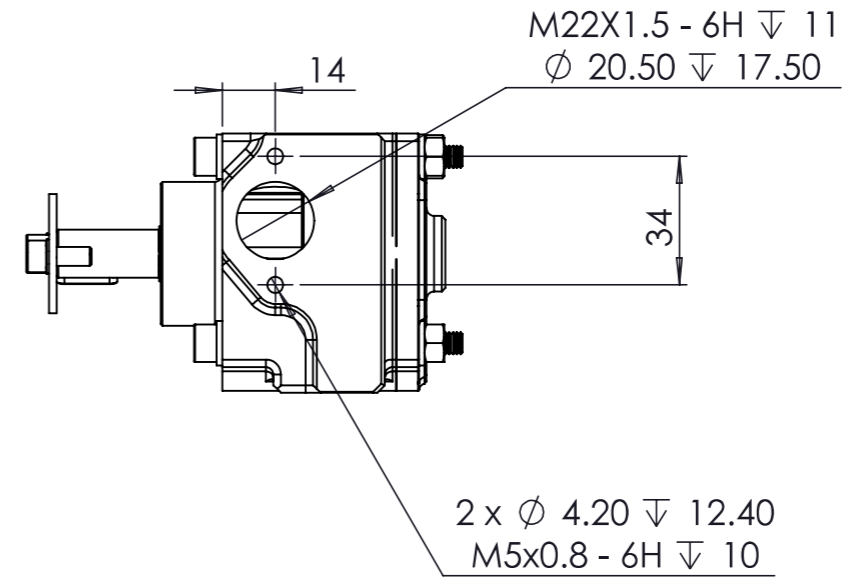


NOTES:

1. DISPLACEMENT PER REVERLUTION PER STAGE = 14.3 CC/REV
2. DISPLACEMENT AT 1000 RPM = 14.3 LT/MIN

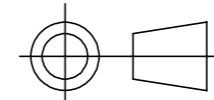


COPYRIGHT © 2024  
 S-CAN 3D LTD  
 Unit 10b, Bunn's Bank Rd, Attleborough  
 Norfolk, UK, NR17 1QD

UNLESS OTHERWISE STATED:  
 DIMENSIONS IN MILLIMETRES  
 TOLERANCES: LINEAR  $\pm$  0.1 ANGULAR  $\pm$  0.5°  
 SURFACE FINISH  $\nabla$  =  $\nabla$   
 DRAWING STANDARDS TO ATQS 6003  
 DATE FORMAT: DD/MM/YY

THIS DESIGN IS THE PROPERTY OF  
 S-CAN 3D LTD AND MUST NOT BE  
 PRODUCED OR REPLICATED  
 WITHOUT AUTHORITY

CAD PLOT  
 DO NOT  
 SCALE



THIRD ANGLE PROJECTION

SCALE 1:2 WEIGHT 0.8 kg

DRAWN- S.HOW

DATE- 17/06/19

CHECKED - S.HOW

APPROVED - A.CLIFTON

MATERIAL

SEE COMPONENT PARTS

FINISH

SEE COMPONENT PARTS

DRAWING TITLE

1 STAGE CORDIS-  
 SCAVENGE PUMP-SHORT  
 NOSE-14.3 Lt

DRAWING NUMBER

104-103-00071