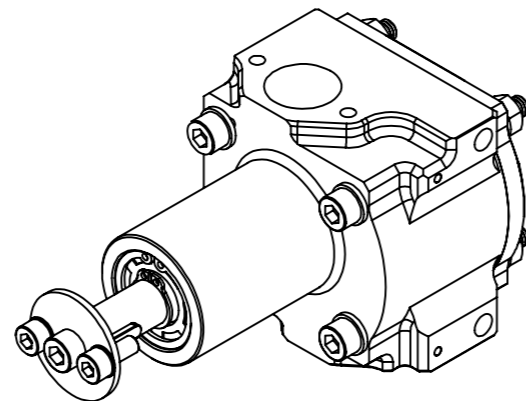
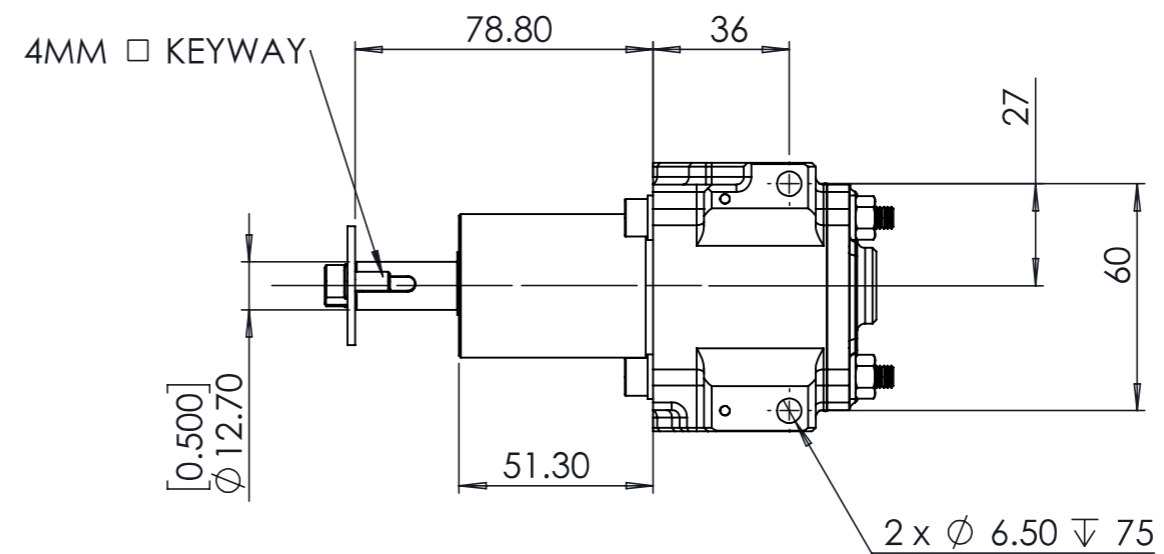
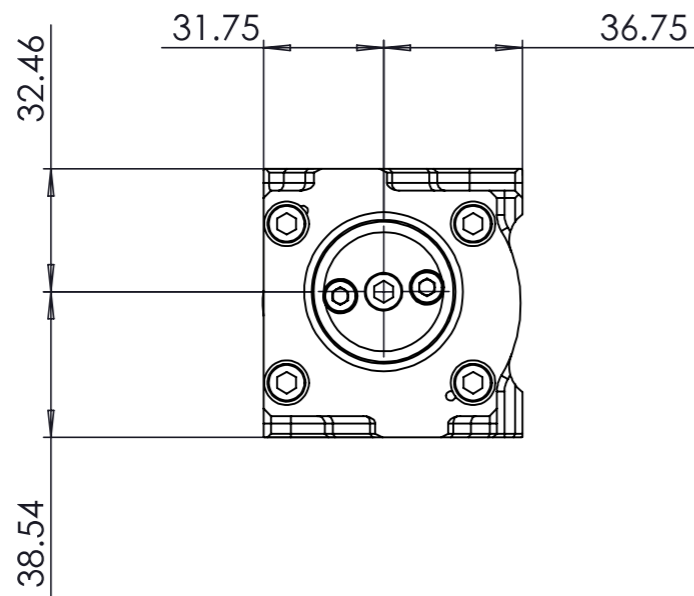
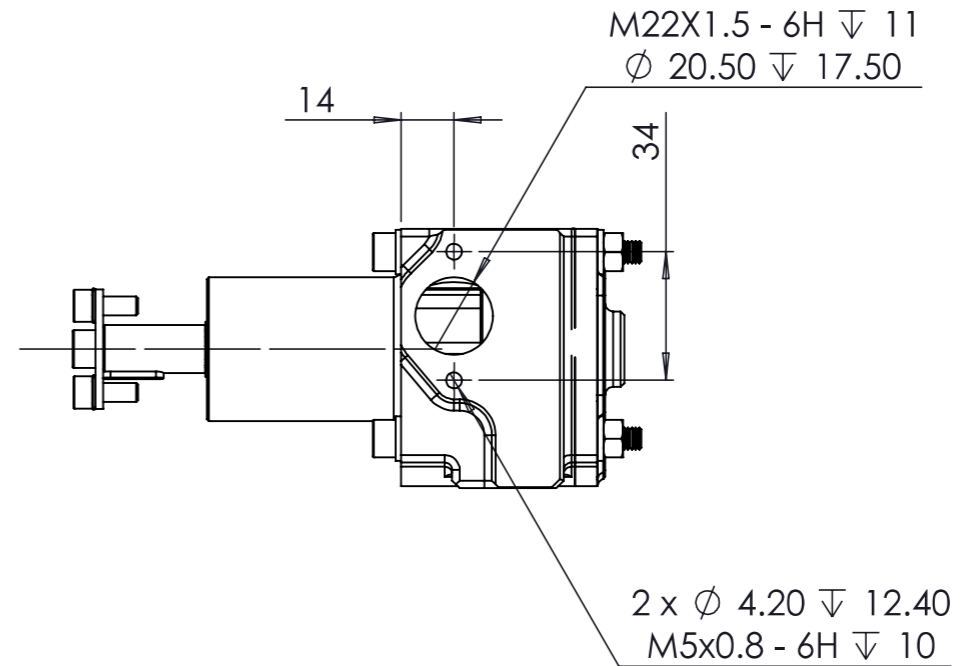

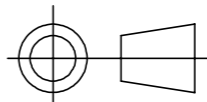


NOTES:

1. DISPLACEMENT PER REVERLUTION PER STAGE = 14.3 CC/REV
2. DISPLACEMENT AT 1000 RPM = 14.3 LT/MIN



 S-CAN 3D LTD Unit 10b, Bunn's Bank Rd, Attleborough Norfolk, UK, NR17 1QD COPYRIGHT © 2024	 THIRD ANGLE PROJECTION	MATERIAL	SEE COMPONENT PARTS
		FINISH	SEE COMPONENT PARTS
UNLESS OTHERWISE STATED: DIMENSIONS IN MILLIMETRES TOLERANCES: LINEAR ± 0.1 ANGULAR ± 0.5° SURFACE FINISH ∇ = ∇ DRAWING STANDARDS TO ATQS 6003 DATE FORMAT: DD/MM/YY THIS DESIGN IS THE PROPERTY OF S-CAN 3D LTD AND MUST NOT BE PRODUCED OR REPLICATED WITHOUT AUTHORITY	SCALE	WEIGHT	DRAWING TITLE <b>1 STAGE CORDIS-                  SCAVENGE PUMP-LONG                  NOSE-14.3 Lt</b>
	1:2	0.9 kg	
	DRAWN-	S.HOW	
	DATE-	17/06/19	DRAWING NUMBER
	CHECKED -	S.HOW	<b>104-103-00072</b>
	APPROVED -	A.CLIFTON	
	CAD PLOT DO NOT SCALE		SHEET 2 OF 2 A3