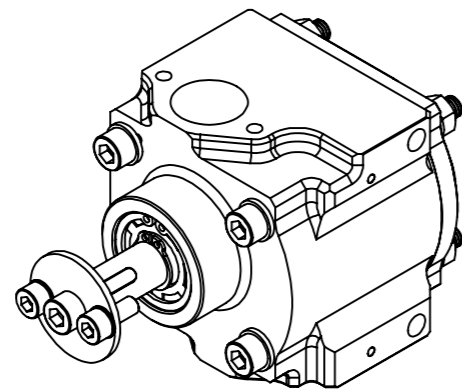
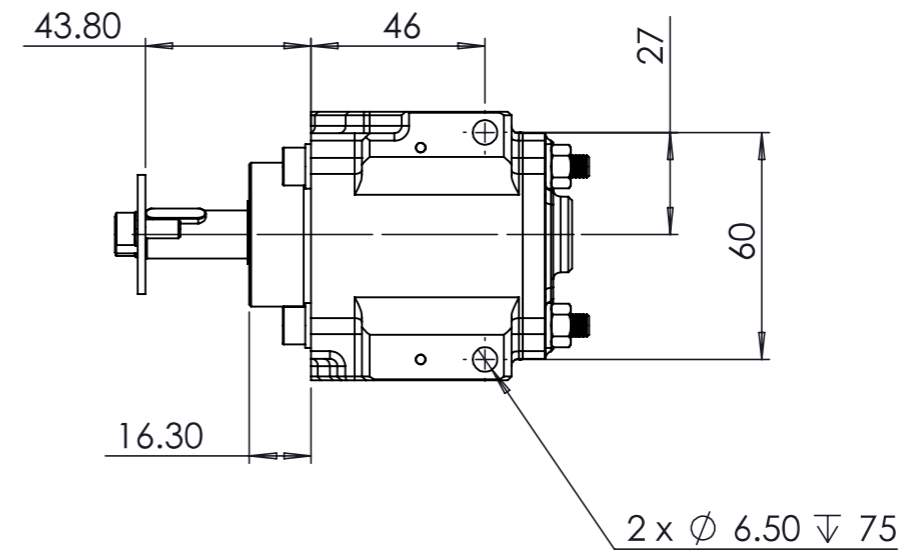
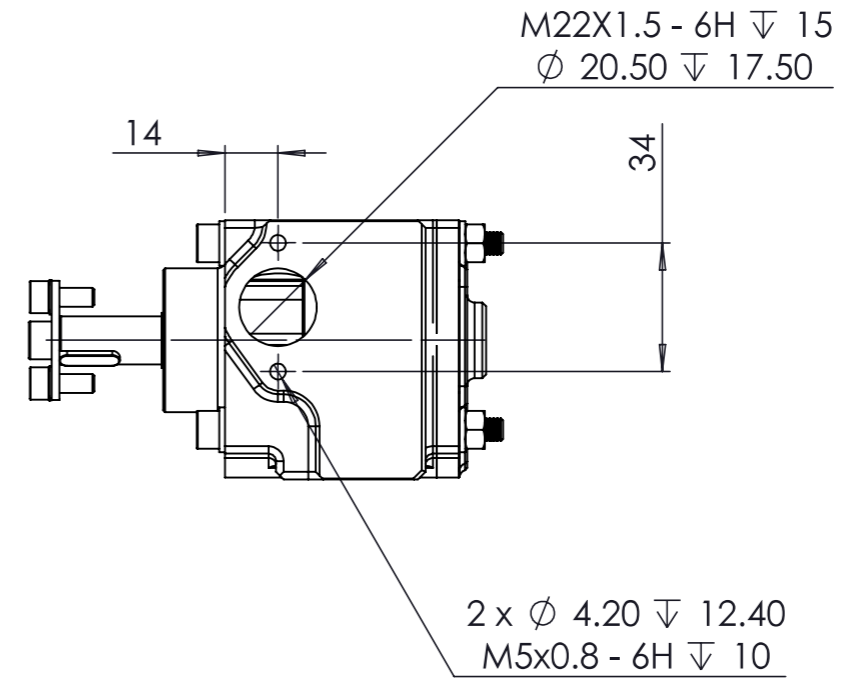
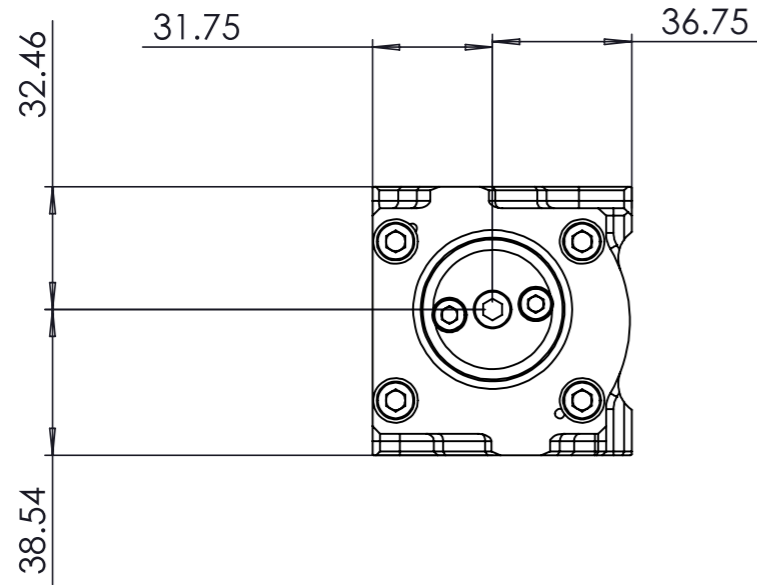

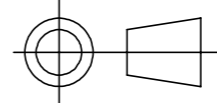


NOTES:

1. DISPLACEMENT PER REVERLUTION PER STAGE = 20.1 CC/REV
2. DISPLACEMENT AT 1000 RPM = 20.1 LT/MIN



 COPYRIGHT © 2024 S-CAN 3D LTD Unit 10b, Bunn's Bank Rd, Attleborough Norfolk, UK, NR17 1QD	 THIRD ANGLE PROJECTION		MATERIAL
	SCALE 1:2	WEIGHT 1.0 kg	SEE COMPONENT PARTS
UNLESS OTHERWISE STATED: DIMENSIONS IN MILLIMETRES TOLERANCES: LINEAR ± 0.1 ANGULAR ± 0.5° SURFACE FINISH ∇ = ∇ DRAWING STANDARDS TO ATQS 6003 DATE FORMAT: DD/MM/YY THIS DESIGN IS THE PROPERTY OF S-CAN 3D LTD AND MUST NOT BE PRODUCED OR REPLICATED WITHOUT AUTHORITY	DRAWN- S.HOW	FINISH	
	DATE- 17/06/19	SEE COMPONENT PARTS	
	CHECKED - S.HOW	DRAWING TITLE	
APPROVED - A.CLIFTON	DRAWING NUMBER		1 STAGE CORDIS- SCAVENGE PUMP-SHORT NOSE-20.1 Lt
			104-103-00073
			SHEET 2 OF 2 A3