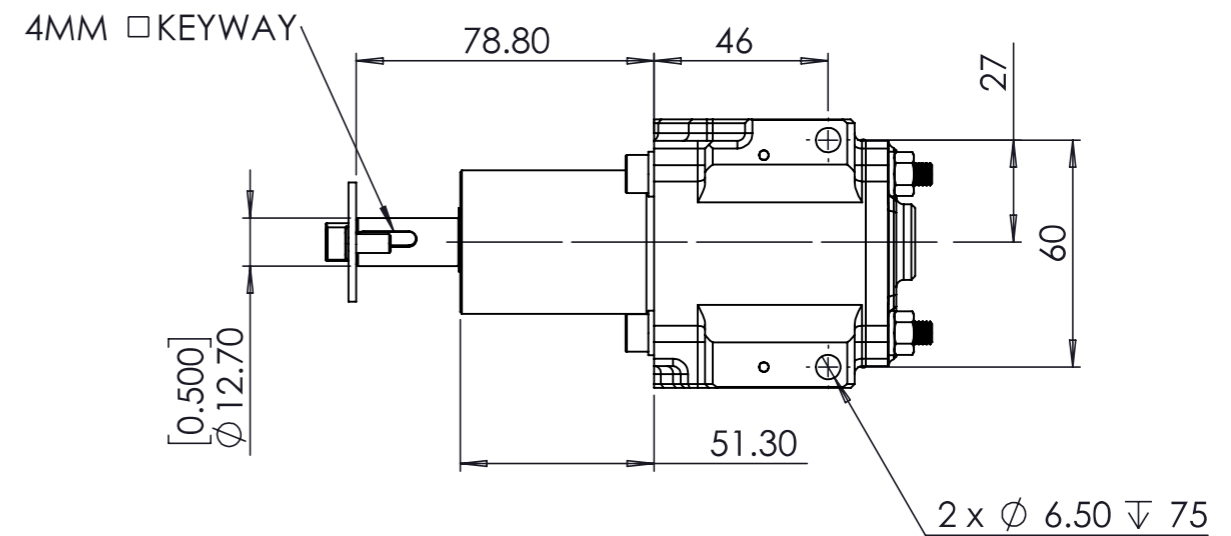
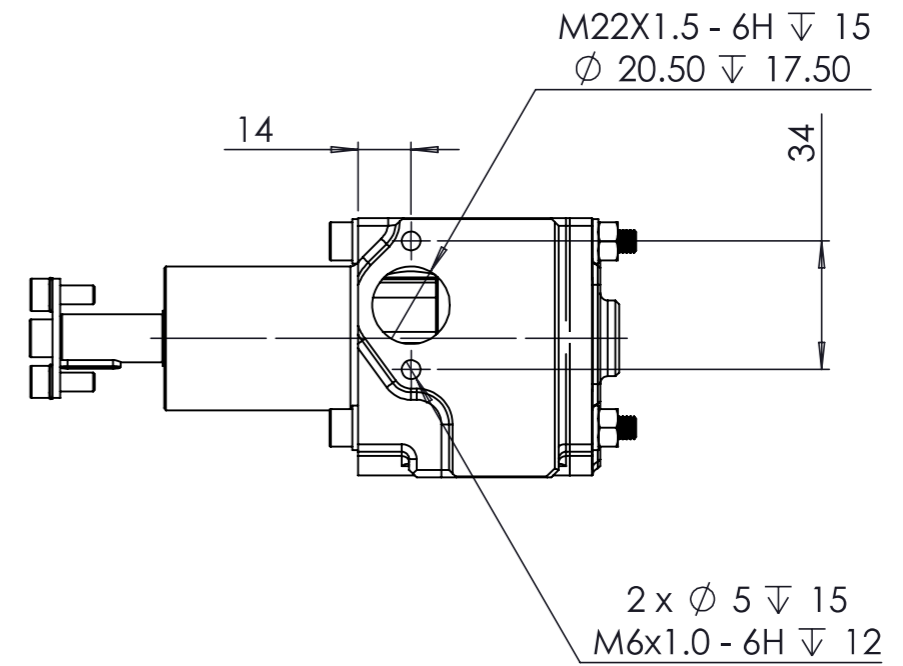
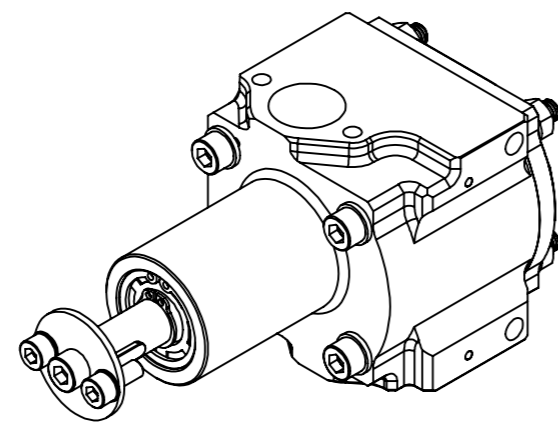
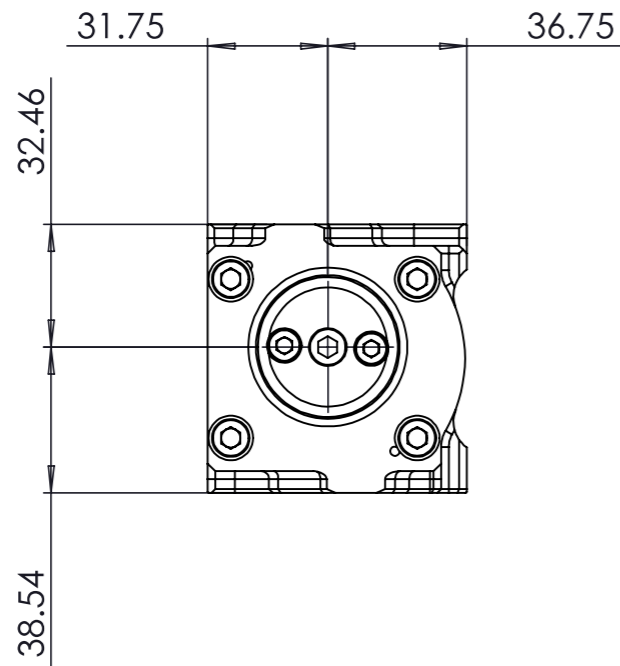


NOTES:

1. DISPLACEMENT PER REVERLUTION PER STAGE = 20.1 CC/REV
2. DISPLACEMENT AT 1000 RPM = 20.1 LT/MIN

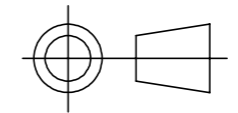


COPYRIGHT © 2024
S-CAN 3D LTD
Unit 10b, Bunn's Bank Rd, Attleborough
Norfolk, UK, NR17 1QD

UNLESS OTHERWISE STATED:
DIMENSIONS IN MILLIMETRES
TOLERANCES: LINEAR ± 0.1 ANGULAR ± 0.5°
SURFACE FINISH ∇ = ∇
DRAWING STANDARDS TO ATQS 6003
DATE FORMAT: DD/MM/YY

THIS DESIGN IS THE PROPERTY OF
S-CAN 3D LTD AND MUST NOT BE
PRODUCED OR REPLICATED
WITHOUT AUTHORITY

CAD PLOT
DO NOT
SCALE



THIRD ANGLE PROJECTION

SCALE 1:2 WEIGHT 1.1 kg

DRAWN- S.HOW

DATE- 17/06/19

CHECKED - S.HOW

APPROVED - A.CLIFTON

MATERIAL
SEE COMPONENT PARTS

FINISH
SEE COMPONENT PARTS

DRAWING TITLE
**1 STAGE CORDIS-
SCAVENGE PUMP-LONG
NOSE-20.1 Lt**

DRAWING NUMBER
104-103-00074