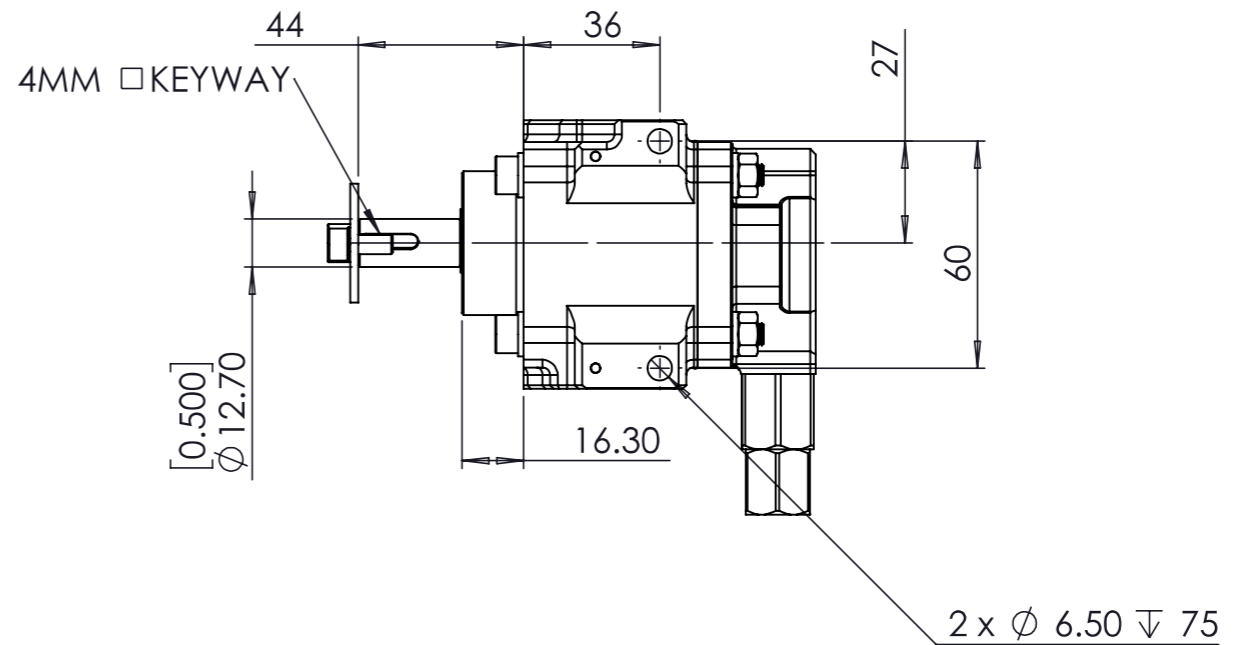
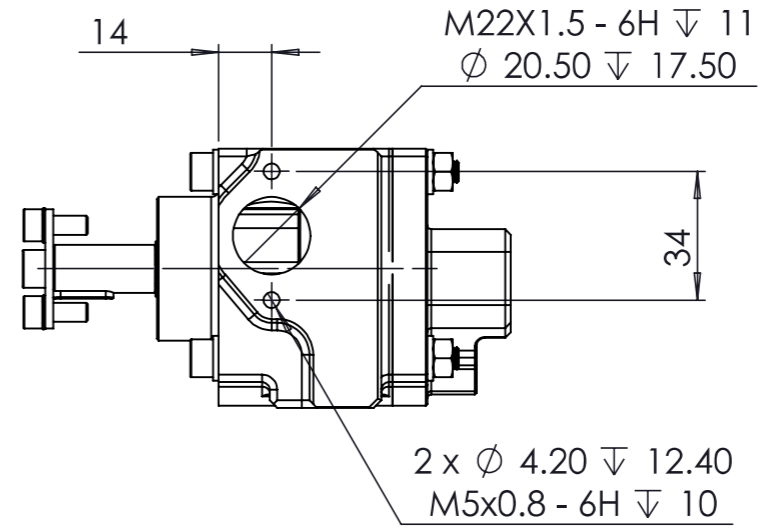
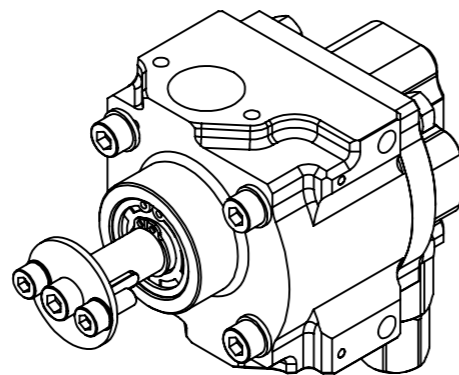
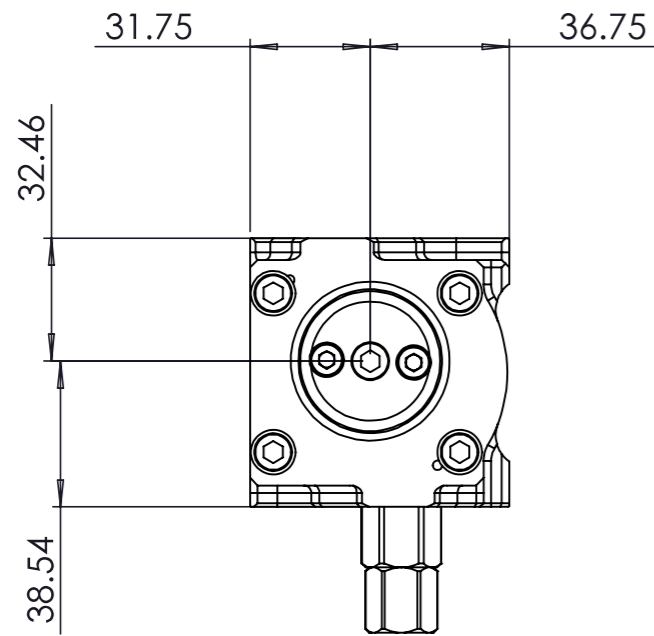


NOTES:

1. DISPLACEMENT PER REVERLUTION PER STAGE = 14.3 CC/REV
2. DISPLACEMENT AT 1000 RPM = 14.3 LT/MIN
3. PRV CRACKING PRESSURE:-  
 MINIMUM = 2.9 BAR (42 PSI)  
 MAXIMUM = 8.27 BAR (120PSI)
4. FOR EACH FULL TURN OF THE ADJUSTER THE CRACKING PRESSURE WILL INCREASE/DECREASE BY 0.25 BAR (3.6 PSI)

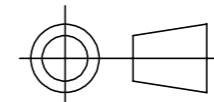


COPYRIGHT © 2024  
 S-CAN 3D LTD  
 Unit 10b, Bunn's Bank Rd, Attleborough  
 Norfolk, UK, NR17 1QD

UNLESS OTHERWISE STATED:  
 DIMENSIONS IN MILLIMETRES  
 TOLERANCES: LINEAR ± 0.1 ANGULAR ± 0.5°  
 SURFACE FINISH ∇ = ∇  
 DRAWING STANDARDS TO ATQS 6003  
 DATE FORMAT: DD/MM/YY

THIS DESIGN IS THE PROPERTY OF  
 S-CAN 3D LTD AND MUST NOT BE  
 PRODUCED OR REPLICATED  
 WITHOUT AUTHORITY

CAD PLOT  
 DO NOT  
 SCALE



THIRD ANGLE PROJECTION

SCALE 1:2 WEIGHT 0.9 kg

DRAWN- S.HOW

DATE- 17/06/19

CHECKED - S.HOW

APPROVED - A.CLIFTON

MATERIAL

SEE COMPONENT PARTS

FINISH

SEE COMPONENT PARTS

DRAWING TITLE

1 STAGE CORDIS-PRESSURE  
 PUMP-SHORT NOSE-14.3 Lt

DRAWING NUMBER

104-103-00075