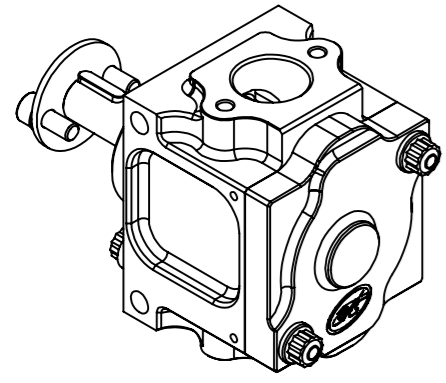
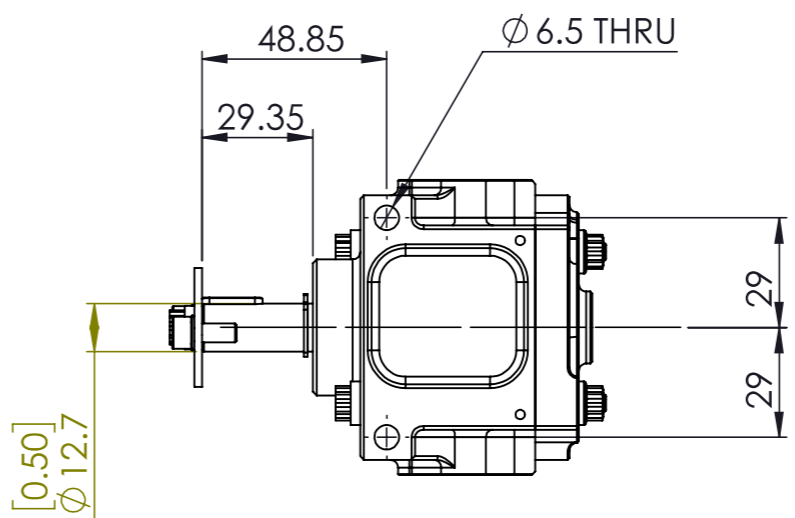
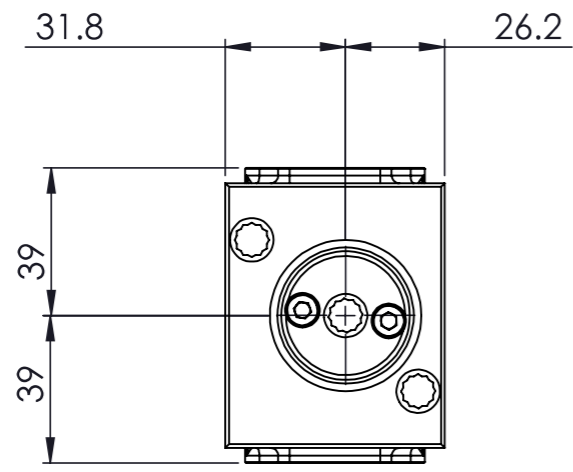
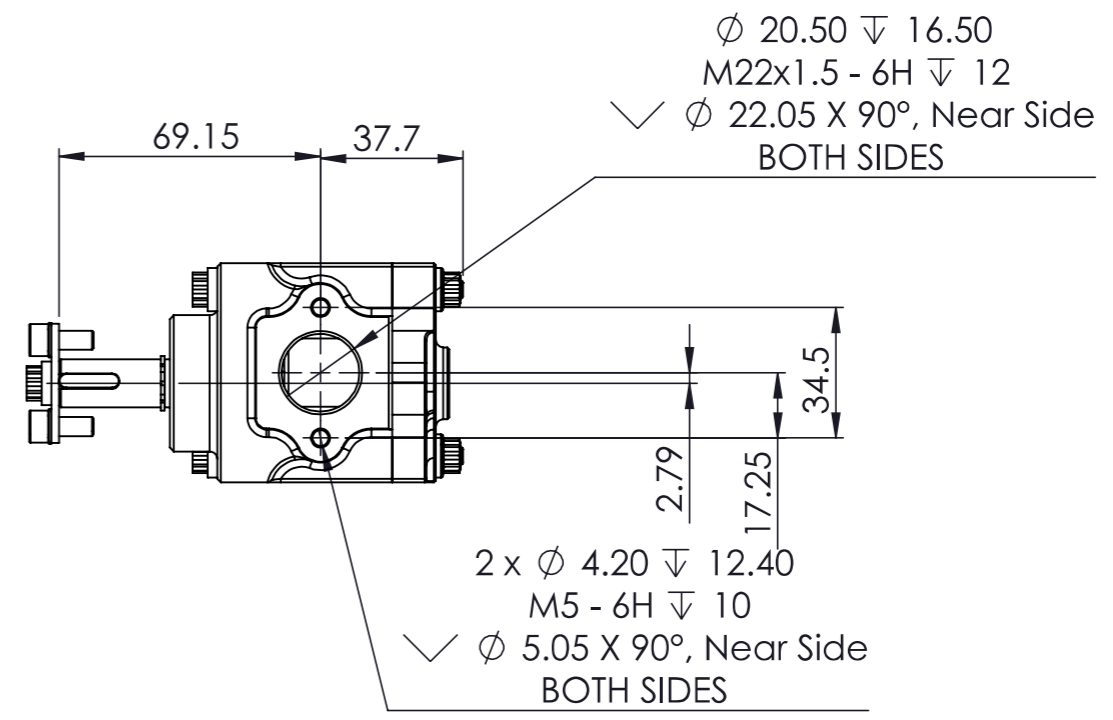

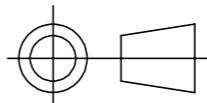


**NOTES:**

1. DISPLACEMENT PER REVERLUTION PER STAGE = 11.9 CC/REV
2. DISPLACEMENT AT 1000 RPM = 11.9 LT/MIN
3. PRV CRACKING PRESSURE:-  
 MINIMUM = 2.9 BAR (42 PSI)  
 MAXIMUM = 8.27 BAR (120PSI)
4. FOR EACH FULL TURN OF THE ADJUSTER THE CRACKING PRESSURE WILL INCREASE/DECREASE BY 0.25 BAR (3.6 PSI)



ISOMETRIC VIEW

 COPYRIGHT © 2024 S-CAN 3D LTD Unit 10b, Bunn's Bank Rd, Attleborough Norfolk, UK, NR17 1QD	 THIRD ANGLE PROJECTION	MATERIAL	SEE COMPONENT PARTS
		FINISH	SEE COMPONENT PARTS
UNLESS OTHERWISE STATED: DIMENSIONS IN MILLIMETRES TOLERANCES: LINEAR $\pm$ 0.1 ANGULAR $\pm$ 0.5° SURFACE FINISH $\sqrt{\text{V}}$ = $\sqrt{\text{V}}$ DRAWING STANDARDS TO ATQS 6003 DATE FORMAT: DD/MM/YY	SCALE	WEIGHT	DRAWING TITLE
	1:2	-- kg	
THIS DESIGN IS THE PROPERTY OF S-CAN 3D LTD AND MUST NOT BE PRODUCED OR REPLICATED WITHOUT AUTHORITY	DRAWN-	S.HOW	DRAWING NUMBER
	DATE-	07/03/19	
CAD PLOT DO NOT SCALE	CHECKED -	S.HOW	104-103-00114 SHEET 2 OF 2 A3
	APPROVED -	A.CLIFTON	