

S-CAN 3D Ltd.

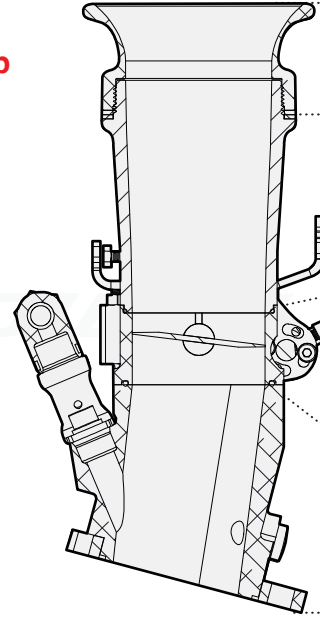
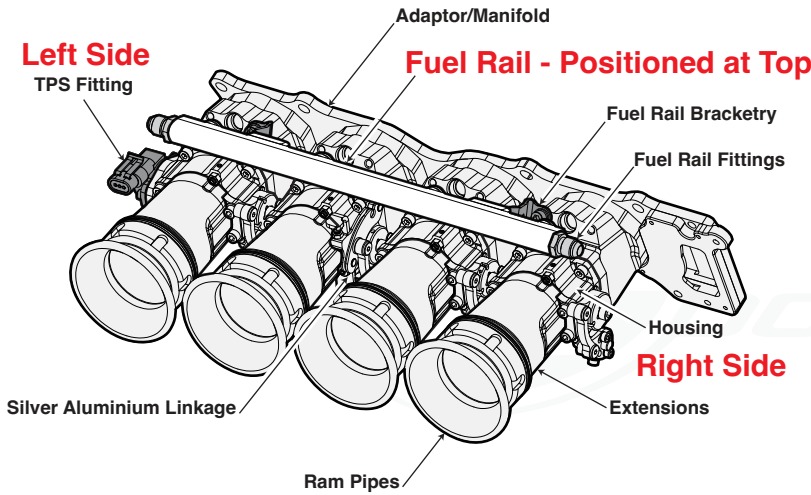
Unit 10b
Bunn's Bank Ind Est,
Attleborough
Norfolk
UK
NR17 1QD

Tel +44 (0)1953 857800
Email info@atpowerthrottles.com
Web www.atpower.com



Throttle Terminology

DATASHEET REV004 6.25



Ram Pipe | Trumpet

Heights: 40mm | 60mm
Types: Open | Mesh

Extensions | Runners | Velocity Stacks

Heights: 70mm | 100mm | 130mm
Materials: 3D Printed SLS | Aluminium

Throttle Housing

with AT Power's patented shaftless technology

Sizes: Oval | Round
Types: Injected | Non-Injected

Individual Flatplate/Manifold Adaptors

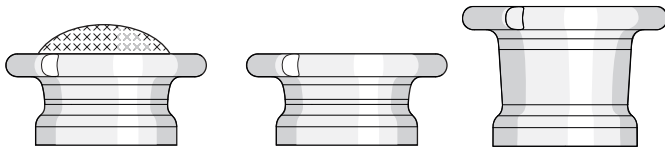
Types: Universal | Twin | DCOE | IDA

Types - Aluminium pieces can be anodised

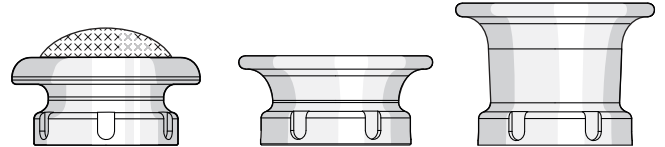
For applications requiring lock wire holes, please get in touch to request this service.

Aluminium Setup

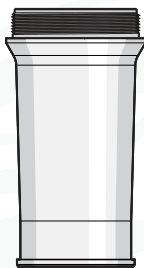
Black Nylon 3D Boosted Setup



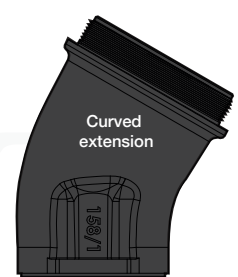
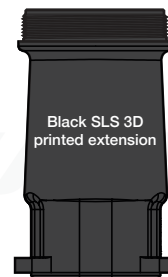
40mm Mesh For aluminium extensions
40mm Open For aluminium extensions
60mm Open For aluminium extensions



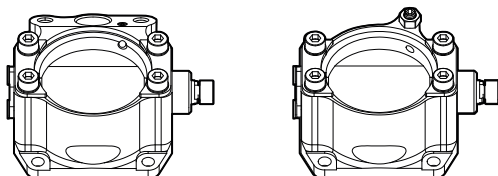
40mm Mesh For 3D SLS extensions
40mm Open For 3D SLS extensions
60mm Open For 3D SLS extensions



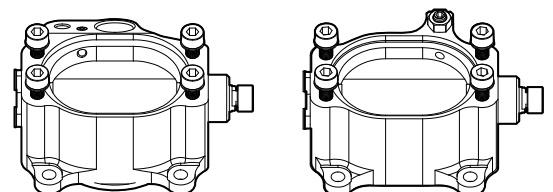
Aluminium Extensions
70mm | 100mm | 130mm
Required for Round Throttles and Naturally Aspirated



Straight Black laser sintered PA12 Nylon 3D printed extensions required for oval or boosted throttles only



Round Fuel Injected
Round Non Injected



Oval Fuel Injected
Oval Non Injected

Ram Pipes

Extensions Types

Housing Types

S-CAN 3D Ltd.

Unit 10b
Bunn's Bank Ind Est,
Attleborough
Norfolk
UK
NR17 1QD

Tel +44 (0)1953 857800
Email info@atpowerthrottles.com
Web www.atpower.com



Throttle Terminology

Choose the right throttles for your motoring needs

Long-Track or Circuit Racing:

Short Inlet Length (70mm Extensions, 40mm Ram Pipes)
Optimised for higher peak power with reduced bottom end torque.

Track Days, Rallycross, Tuning and Street Racing:

Medium Inlet Length (100mm Extensions, 40mm Ram Pipes)
Provides a balanced performance with improved power and torque across the range.

Rallying, Hill Climbs, Drifting, and Time Attack:

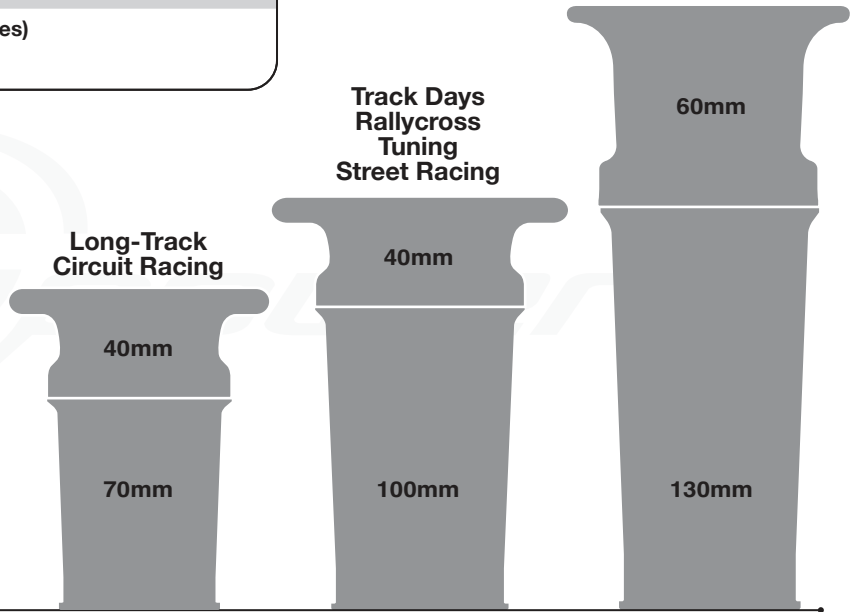
Long Inlet Length (130mm Extensions, 60mm Ram Pipes)
Enhances low-end torque at the cost of peak power.



Tuning Ring
Test the extended extension length for horse power and torque before committing.

Rally Hill Climbs Drifting Time Attack

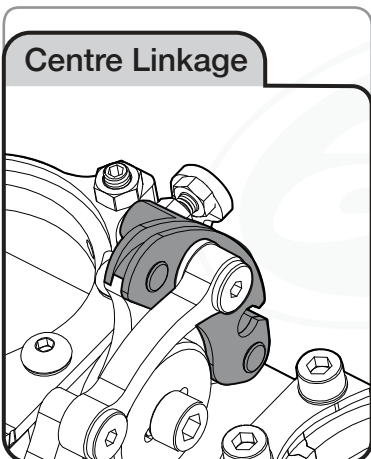
You can order additional sets of extensions and trumpets to make your setup more versatile, especially if you have multifunctional needs. For a personal touch, consider choosing extra sets in a range of aluminium anodised finishes.



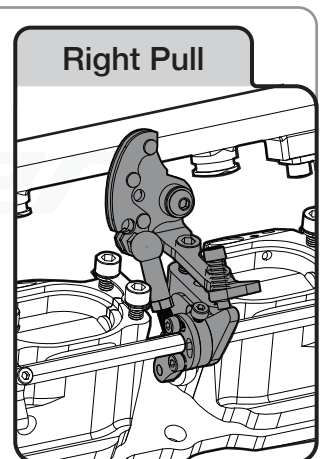
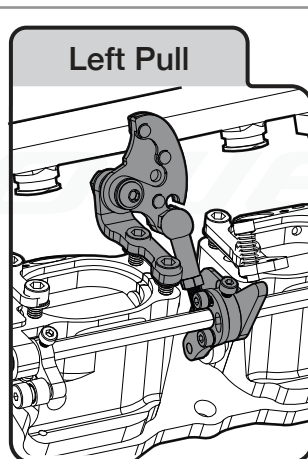
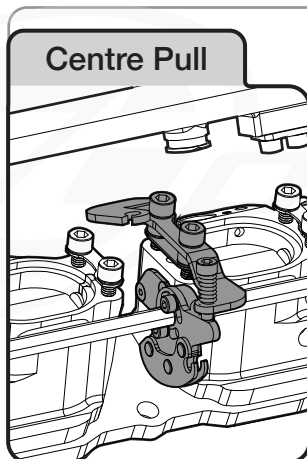
Cable Pull Linkage

All Linkage suitable for AT Power's Motorsport Throttle Nipple Cable

Universal Setup



Twin Throttle Linkage



S-CAN 3D Ltd.

Unit 10b
Bunn's Bank Ind Est,
Attleborough
Norfolk
UK
NR17 1QD

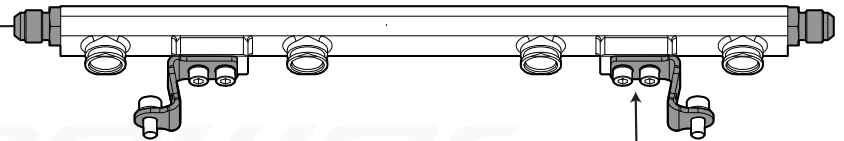
Tel +44 (0)1953 857800
Email info@atpowerthrottles.com
Web www.atpower.com



Fuel Rails and Fittings

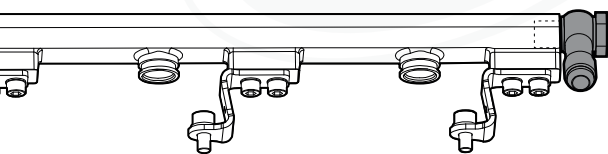
If you need to change AT Power's fuel rail fittings, contact us with your serial number and we will advise accordingly. Do **not** remove the end fittings yourself, as this will cause damage and will void your warranty.

AT Power's Standard:
Fuel Rail Fitting - AN6

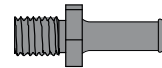


Injector Brackets

Fuel Rail Fitting Options

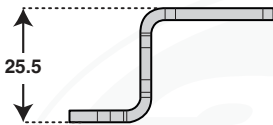


Banjo fitting available
for tighter engine spaces

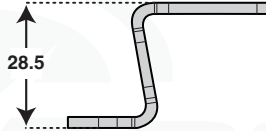


Optional 8mm
hosetail fitting

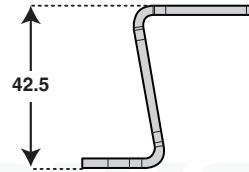
Injector Brackets - Standard Options



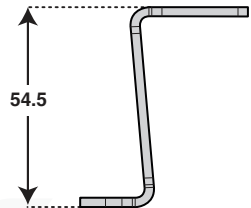
25.5



28.5



42.5



54.5

Suits	Bosch EV14 Short
Part	102-211-00204

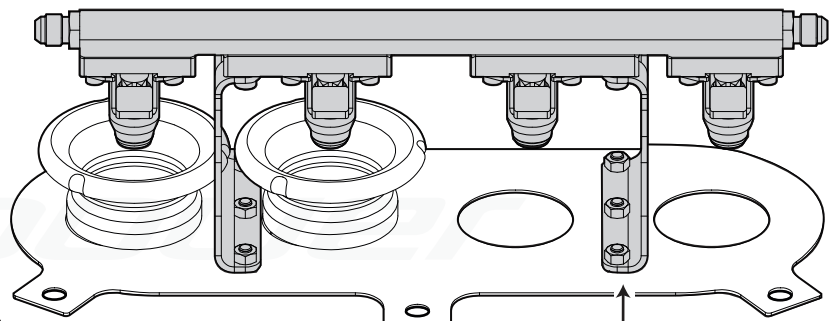
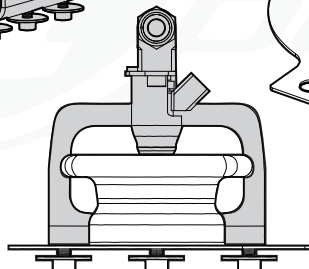
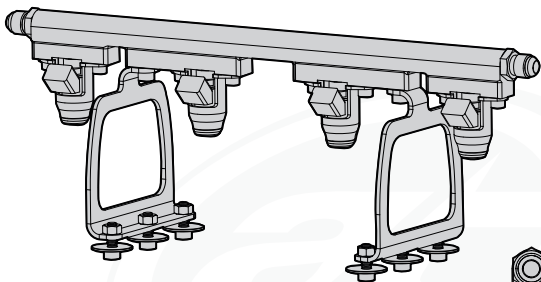
Suits	Pico's
Part	102-211-00064

Suits	Bosch EV14 Standard & EV12 Injectors
Part	102-211-00286

Suits	Bosch EV14 Long & EV6 Injectors
Part	102-211-00287

Example of Secondary Fuel Injection

Get in touch with AT Power if you require Secondary Fuel Injection rails.



Mounts onto Backplate
Not supplied drilled

S-CAN 3D Ltd.

Unit 10b
Bunn's Bank Ind Est,
Attleborough
Norfolk

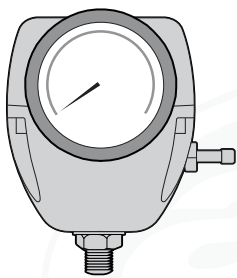
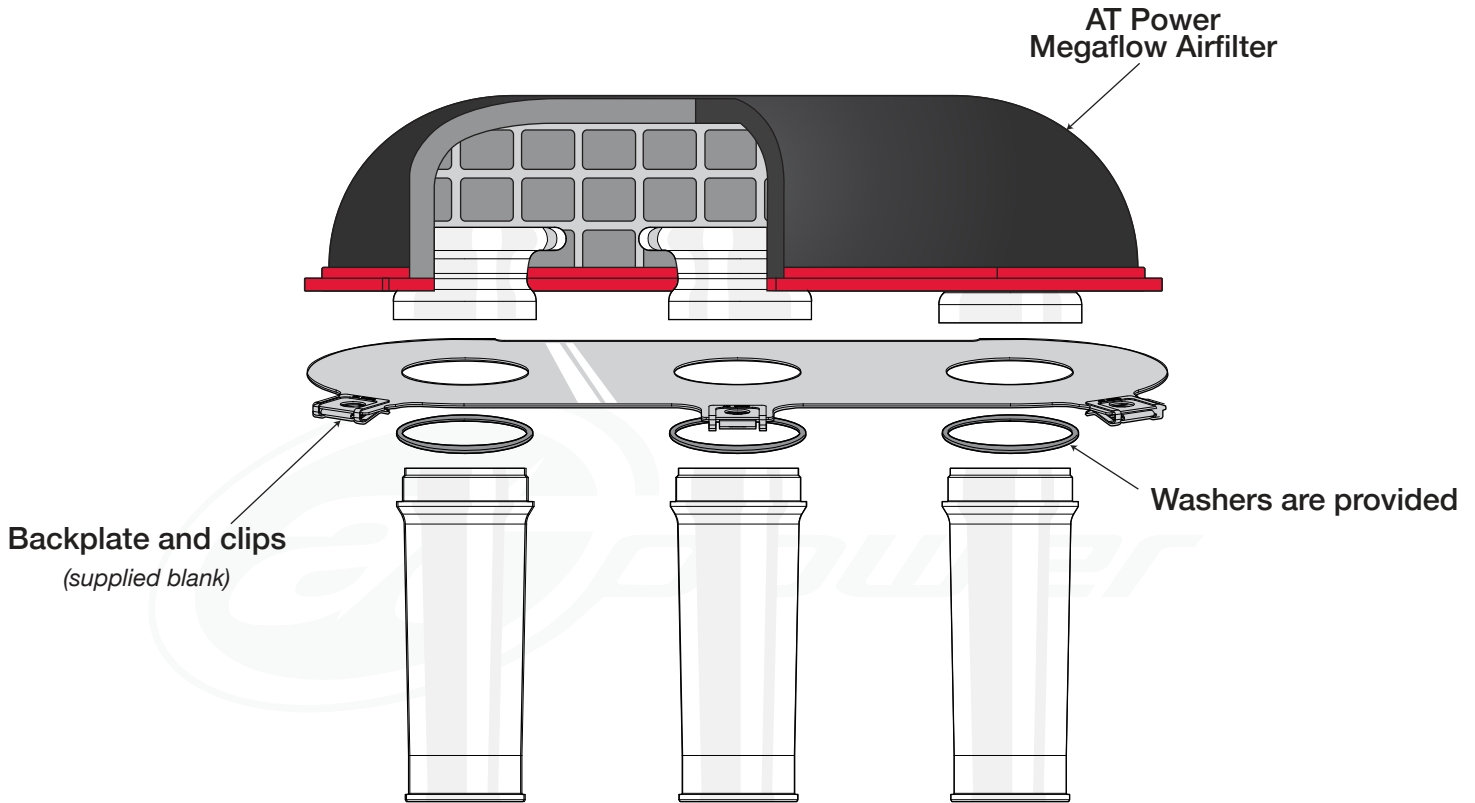
NR17 1QD

Tel +44 (0)1953 857800
Email info@atpowerthrottles.com
Web www.atpower.com

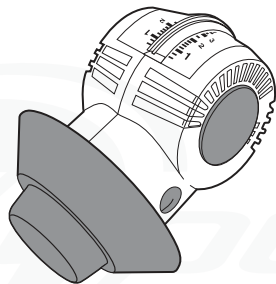


Supporting Throttle Products

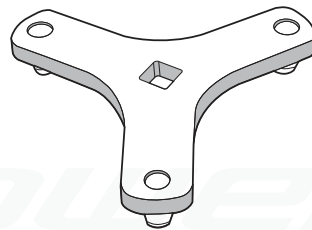
AT Power offers a range of supporting products to assist with your throttle installation.



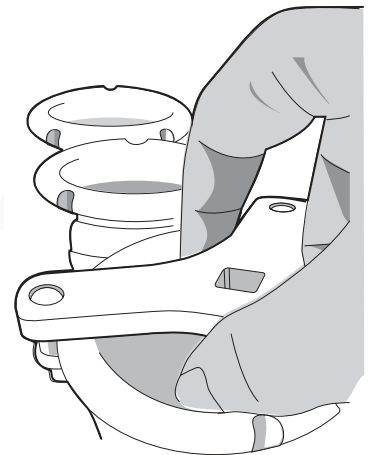
Fuel Pressure Regulator



Airflow Synchrometer
Used for balancing



Ram Pipe Torque Tool



3m Motorsport Throttle Cable

Pico Fuel Injectors

