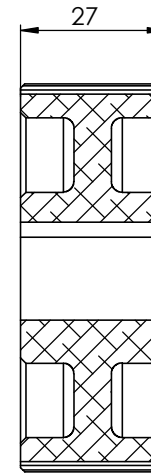
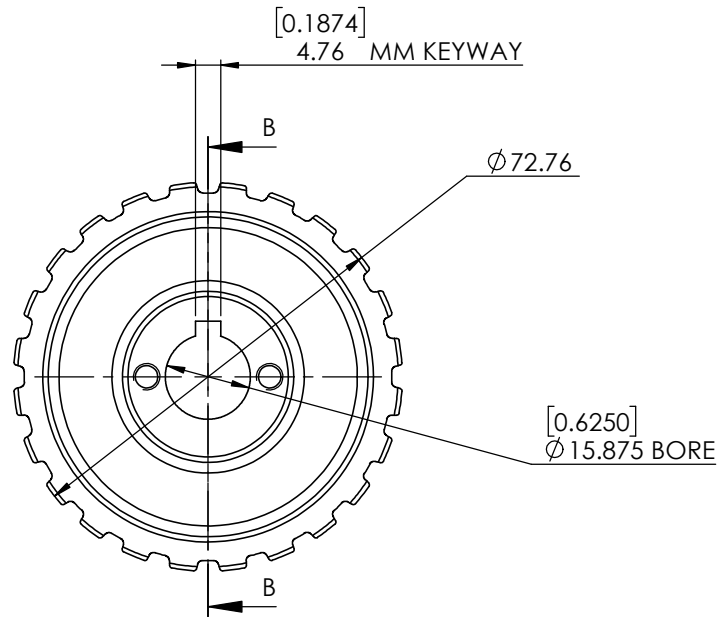

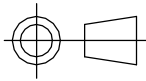


# 24 TOOTH "L" SECTION 3/8" PITCH PULLEY SUITABLE FOR MAGNA CORDIS PUMPS



SECTION B-B

 <b>S-CAN 3D Ltd</b> Bunns Bank Ind Est Attleborough NR17 1QD	 THIRD ANGLE PROJECTION	MATERIAL	ALUMINIUM HE30
		FINISH	HARD ANODISED
<small>UNLESS OTHERWISE STATED:          DIMENSIONS IN MILLIMETRES          TOLERANCES: LINEAR ± 0.1 ANGULAR ± 0.5°          SURFACE FINISH √ = √          DRAWING STANDARDS TO ATQS 6003          DATE FORMAT: DD/MM/YY</small>	SCALE	WEIGHT	DRAWING TITLE <b>PULLEY - PUMP - 24 TOOTH -          1" WIDE - 5/8" BORE</b>
	1:1	0.16 kg	
	DRAWN-	S.HOW	
<small>THIS DESIGN IS THE PROPERTY OF          S-CAN 3D LTD AND MUST NOT BE          REPRODUCED OR COMMUNICATED          WITHOUT AUTHORITY</small>	DATE -	16/08/18	DRAWING NUMBER <b>104-204-00021</b>
	CHECKED -	S.HOW	
<small>CAD PLOT          DO NOT          SCALE</small>	APPROVED -	A.CLIFTON	<small>SHEET 2 OF 2 A3</small>