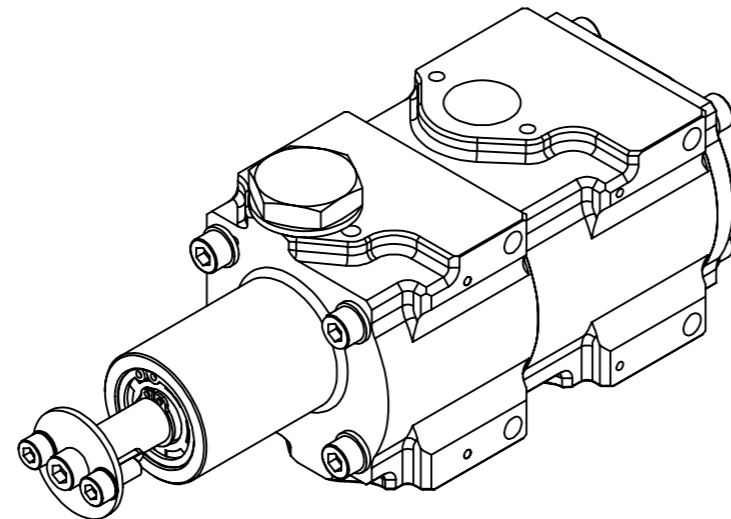
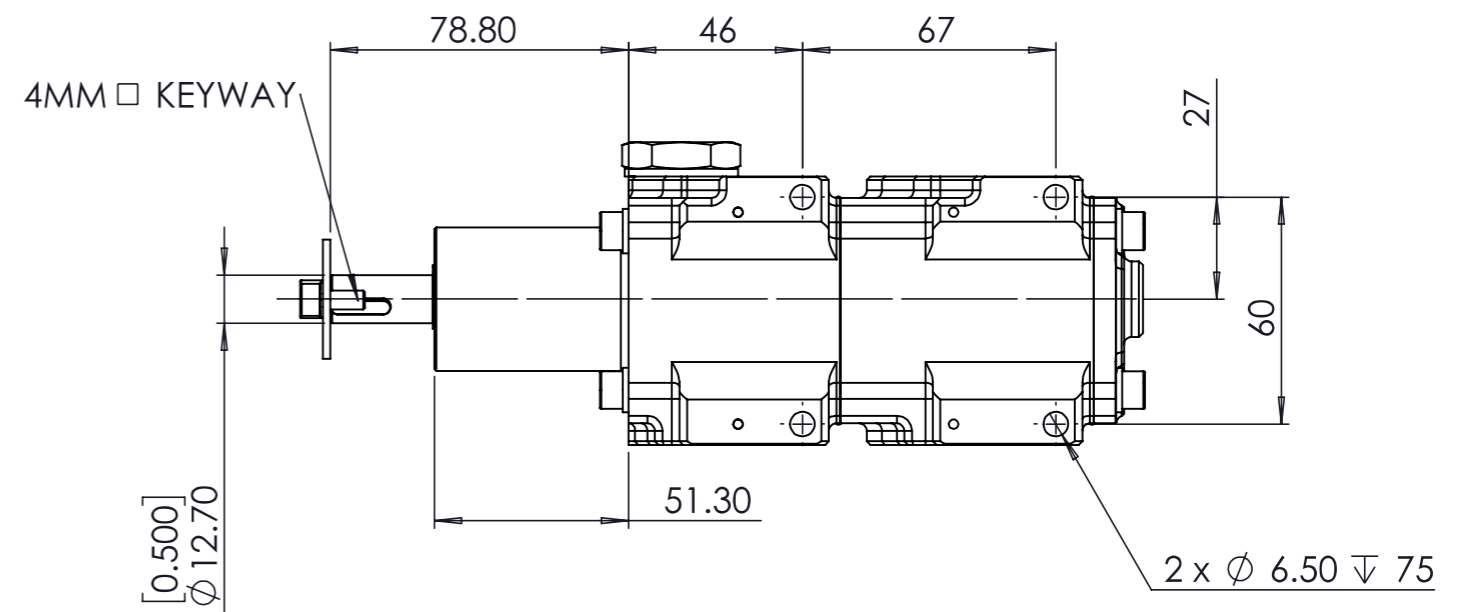
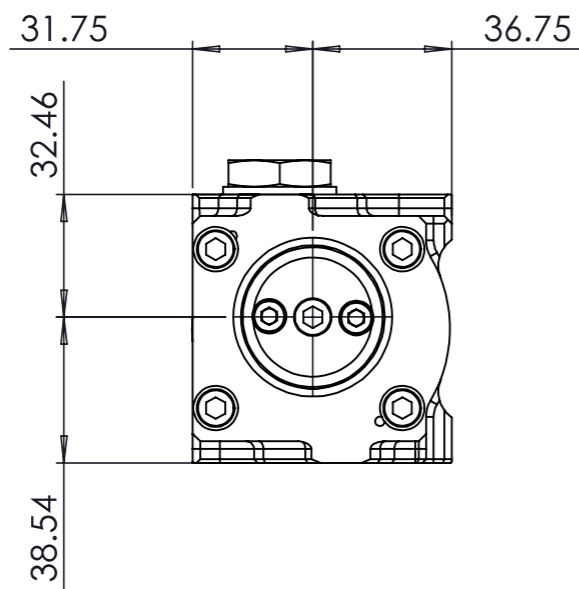
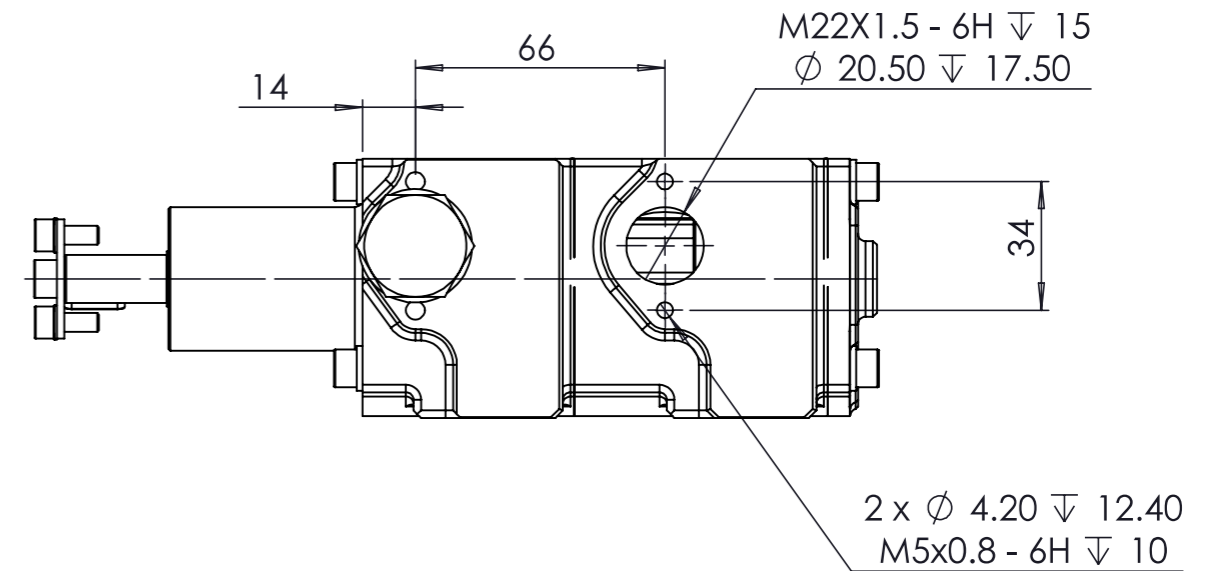


NOTES:

1. DISPLACEMENT PER REVERLUTION PER STAGE = 20.1 CC/REV
2. DISPLACEMENT AT 1000 RPM = 20.1 LT/MIN



<p><b>COPYRIGHT © 2024</b> S-CAN 3D LTD Unit 10b, Bunn's Bank Ind Est, Attleborough Norfolk, UK, NR17 1QD</p>	<p>THIRD ANGLE PROJECTION</p>	MATERIAL	SEE COMPONENT PARTS
		FINISH	SEE COMPONENT PARTS
<p>UNLESS OTHERWISE STATED: DIMENSIONS IN MILLIMETRES TOLERANCES: LINEAR <math>\pm</math> 0.1 ANGULAR <math>\pm</math> 0.5° SURFACE FINISH <math>\nabla</math> = <math>\nabla</math> DRAWING STANDARDS TO ATQS 6003 DATE FORMAT: DD/MM/YY</p>	SCALE	DRAWING TITLE	
	1:2	2 STAGE CORDIS-SCAVENGE PUMP-LONG NOSE-20.1 Lt	
<p>THIS DESIGN IS THE PROPERTY OF S-CAN 3D LTD AND MUST NOT BE PRODUCED OR REPLICATED WITHOUT AUTHORITY</p>	WEIGHT	DRAWING NUMBER	
	2.0 kg	104-103-00082	
<p>CAD PLOT DO NOT SCALE</p>	DRAWN-	S.HOW	
	DATE-	17/06/19	
	CHECKED-	S.HOW	
	APPROVED-	A.CLIFTON	
		SHEET 2 OF 2 A3	