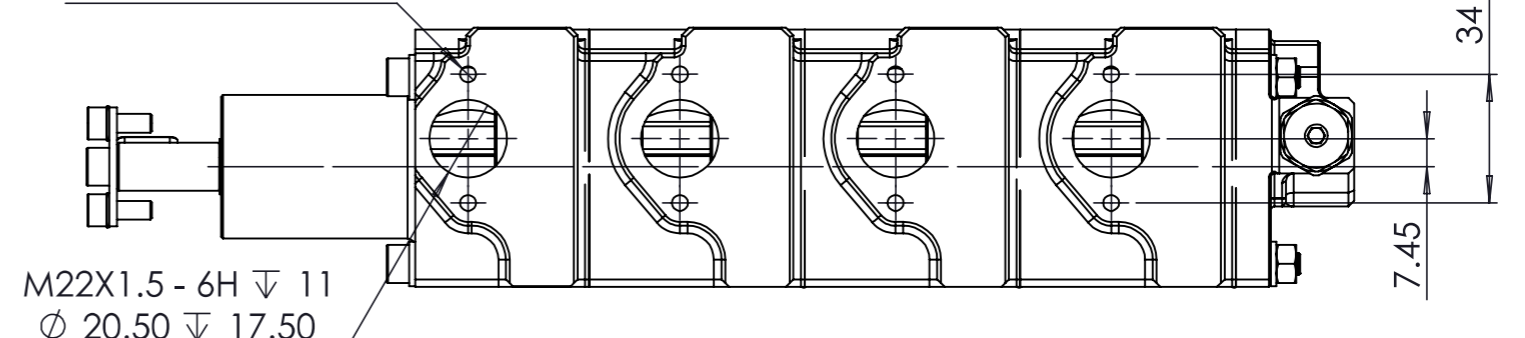
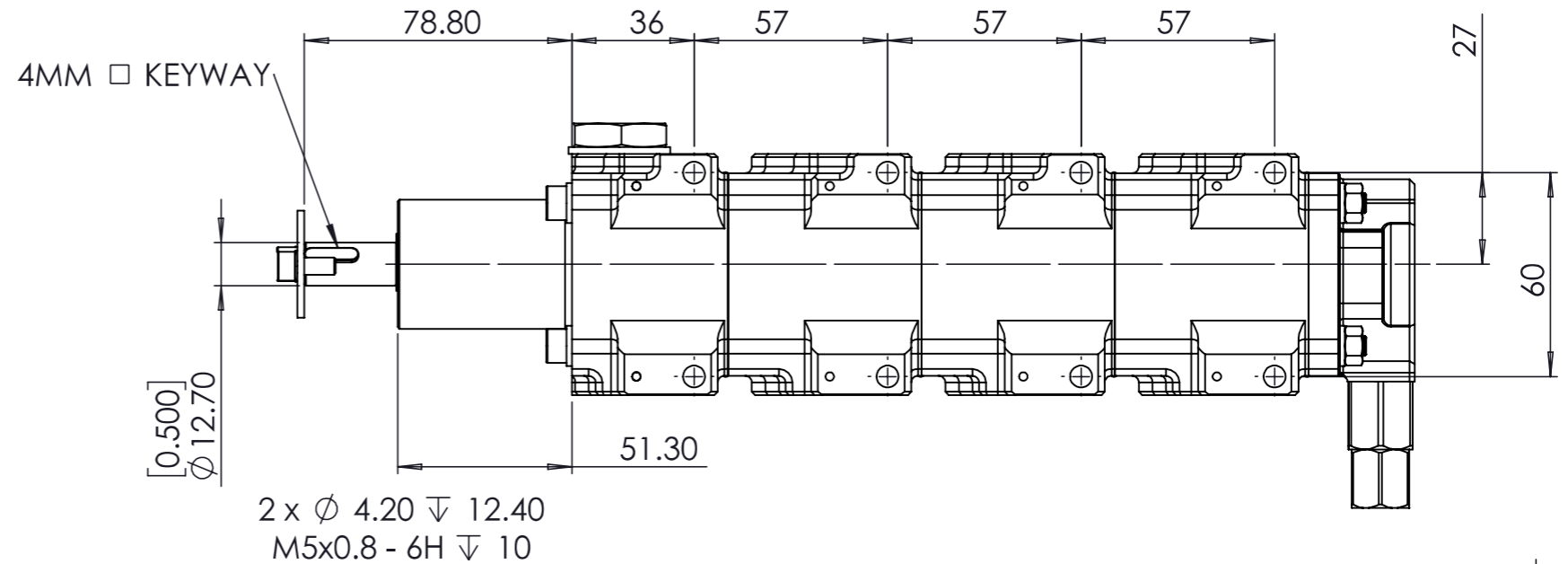
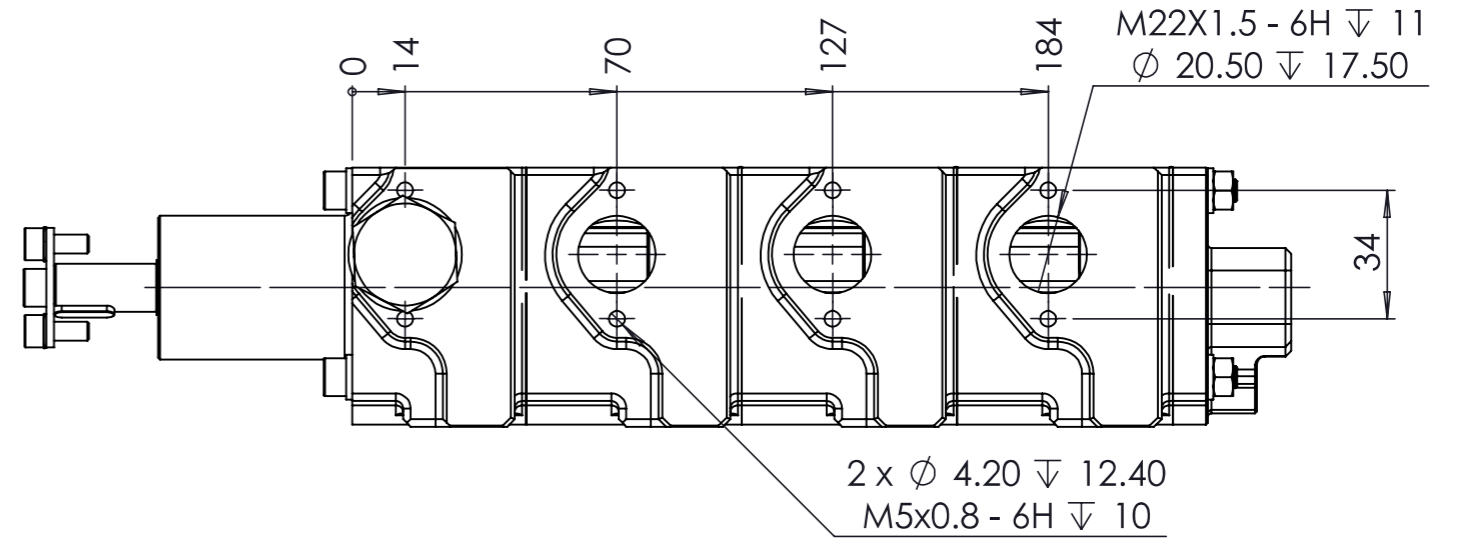
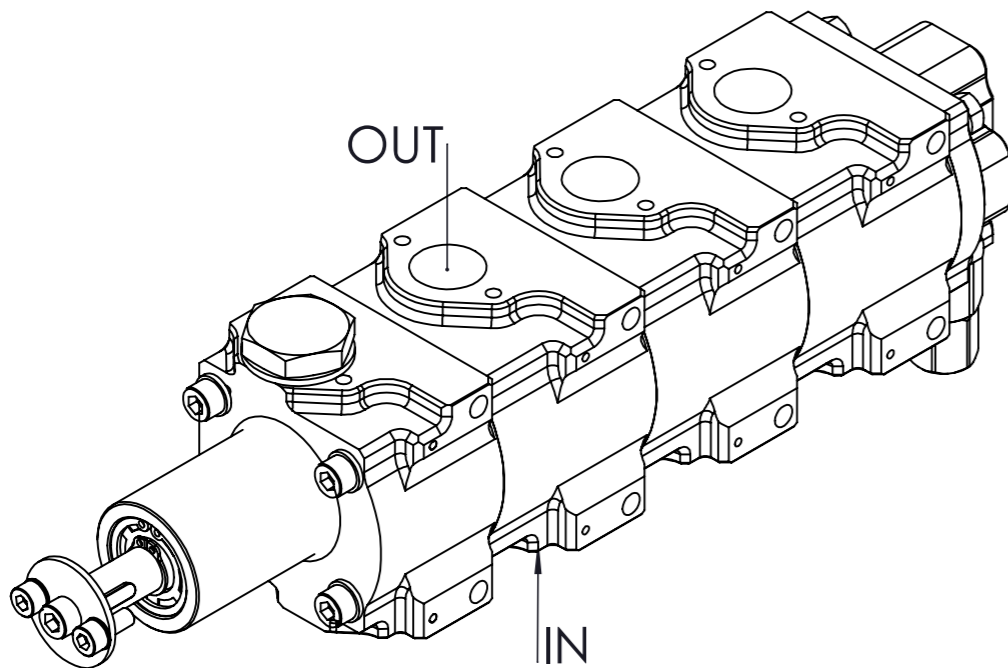
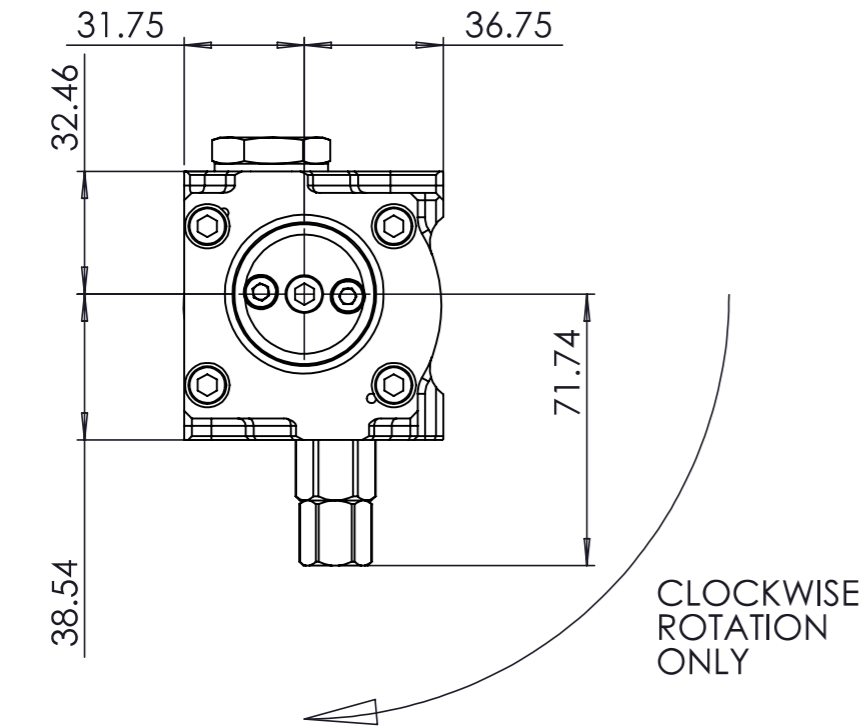


NOTES:

1. DISPLACEMENT PER REVOLUTION PER STAGE = 14.3 CC/REV
2. DISPLACEMENT AT 1000 RPM = 14.3 LT/MIN
3. PRV MINIMUM CRACKING PRESSURE = 52 PSI (3.58 BAR)
4. PRV MAXIMUM CRACKING PRESSURE = 146 PSI (10.0 BAR)
5. EACH FULL TURN OF THE PRV ADJUSTER THE CRACKING PRESSURE WILL INCREASE/DECREASE BY 4.3 PS (0.3 BAR)

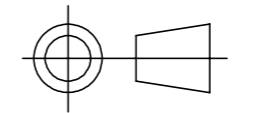
NOTE:
PUMP DISPLACEMENT IS FOR GUIDANCE ONLY AS EFFECIENCY IS INFLUENCED BY MULTIPLE FACTORS



COPYRIGHT © 2024
S-CAN 3D LTD
Unit 10b, Bunn's Bank Ind Est, Attleborough
Norfolk, UK, NR17 1QD

UNLESS OTHERWISE STATED:
DIMENSIONS IN MILLIMETRES
TOLERANCES: LINEAR ± 0.1 ANGULAR ± 0.5°
SURFACE FINISH ∇ = ∇
DRAWING STANDARDS TO ATQS 6003
DATE FORMAT: DD/MM/YY

THIS DESIGN IS THE PROPERTY OF
S-CAN 3D LTD AND MUST NOT BE
PRODUCED OR REPLICATED
WITHOUT AUTHORITY



THIRD ANGLE PROJECTION

SCALE 1:2 WEIGHT 3.3 kg

DRAWN- S.HOW

DATE- 22/04/20

CHECKED - S.HOW

APPROVED - A.CLIFTON

MATERIAL
SEE COMPONENT PARTS

FINISH
SEE COMPONENT PARTS

DRAWING TITLE
**4 STAGE CORDIS-PRESSURE
PUMP-LONG NOSE-14.3 Lt**

DRAWING NUMBER
104-103-00093