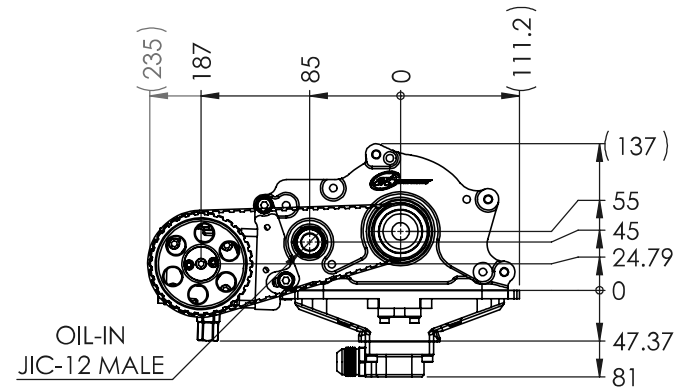
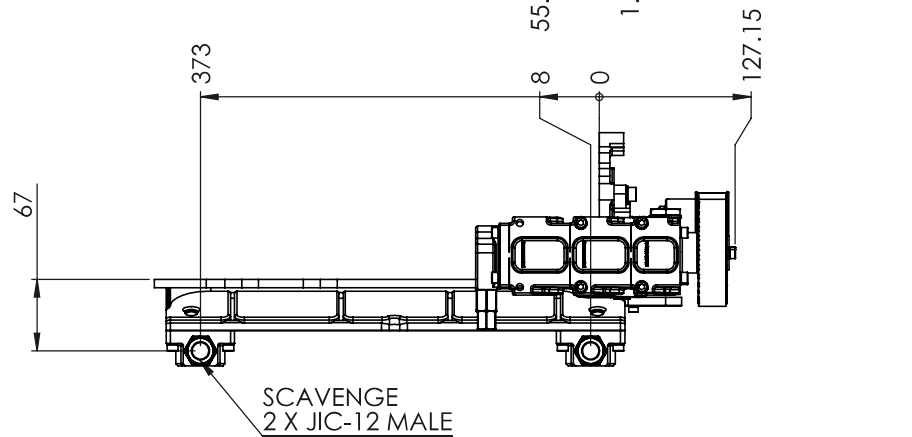
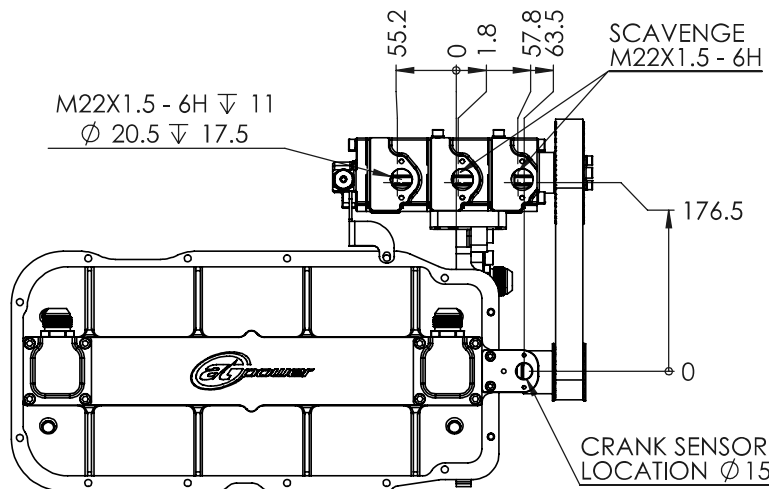



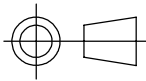
ISOMETRIC VIEW



NOTES:

1. DISPLACEMENT PER REVERLUATION PER STAGE = 14.3 CC/REV
2. DISPLACEMENT AT 1000 PUMP RPM = 14.3 LT/MIN
3. DRIVE RATIO - 16/32



 S-CAN 3D Ltd Buns Bank Ind Est Atherborough NR17 1QD	 THIRD ANGLE PROJECTION	MATERIAL	
		SEE COMPONENT PARTS	
UNLESS OTHERWISE STATED: DIMENSIONS IN MILLIMETRES TOLERANCES: LINEAR \pm 0.1 ANGULAR \pm 0.5° SURFACE FINISH $\checkmark = \checkmark$ DRAWING STANDARDS TO ATQS 6003 DATE FORMAT: DD/MM/YY THIS DESIGN IS THE PROPERTY OF S-CAN 3D LTD AND MUST NOT BE REPRODUCED OR COMMUNICATED WITHOUT AUTHORITY	SCALE 1:5	WEIGHT 6.4 kg	FINISH
			SEE COMPONENT PARTS
CAD PLOT DO NOT SCALE	DRAWN- S.HOW	DRAWING TITLE	
	DATE - 15/07/22	ASSY - SUMP KIT - VAUXHALL - X20XE - MACHINED - 1" BELT - INTAKE	
CHECKED - S.HOW	DRAWING NUMBER		
APPROVED - A.CLIFTON	105-102-00001		
			SHEET 2 OF 2 A3