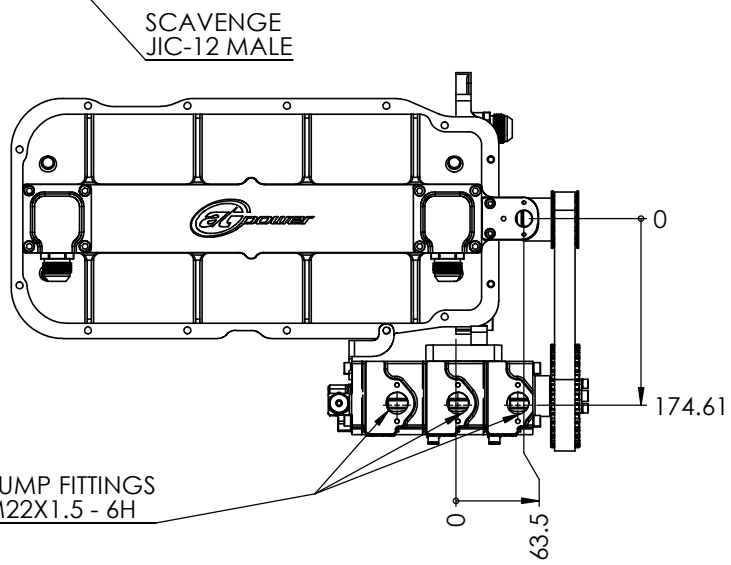
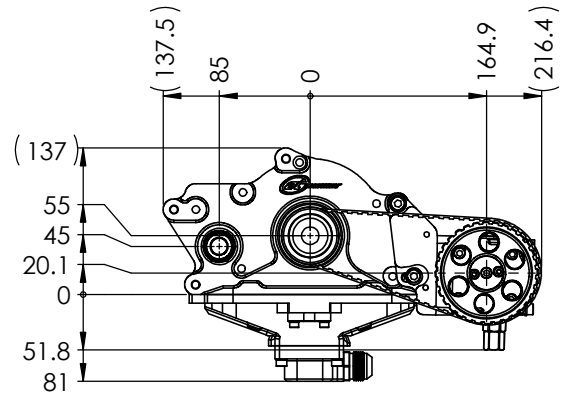
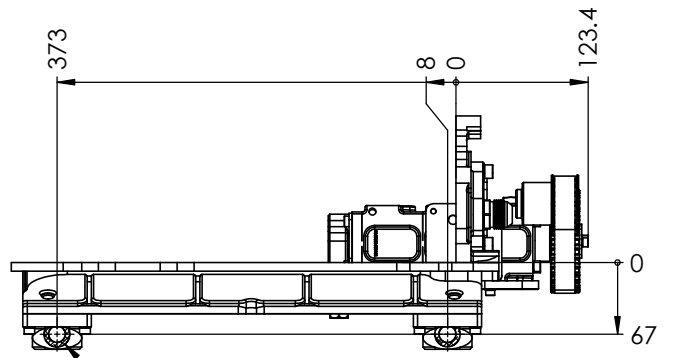

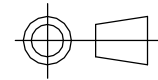


ISOMETRIC VIEW



NOTES:

1. DISPLACEMENT PER REVERLUTION PER STAGE = 14.3 CC/REV
2. DISPLACEMENT AT 1000 PUMP RPM = 14.3 LT/MIN
3. DRIVE RATIO - 16/32

 S-CAN 3D Ltd Bunns Bank Ind Est Attleborough NR17 1QD	 THIRD ANGLE PROJECTION	MATERIAL	SEE COMPONENT PARTS
		FINISH	SEE COMPONENT PARTS
<small>UNLESS OTHERWISE STATED: DIMENSIONS IN MILLIMETRES TOLERANCES: LINEAR ± 0.1 ANGULAR ± 0.5° SURFACE FINISH √ = √ DRAWING STANDARDS TO ATQS 6003 DATE FORMAT: DD/MM/YY</small>	SCALE	DRAWING TITLE	
	1:5	WEIGHT	ASSY - SUMP KIT - VAUXHALL - X20XE - MACHINED - 3/4" BELT - EXHAUST
		6.4 kg	DRAWING NUMBER
<small>THIS DESIGN IS THE PROPERTY OF S-CAN 3D LTD AND MUST NOT BE REPRODUCED OR COMMUNICATED WITHOUT AUTHORITY</small>	DRAWN -	105-102-00004	
	S.HOW	SHEET 2 OF 2 A3	
<small>CAD PLOT DO NOT SCALE</small>	DATE -		
	14/07/22		
<small>CHECKED -</small> <small>APPROVED -</small>	S.HOW		
	A.CLIFTON		