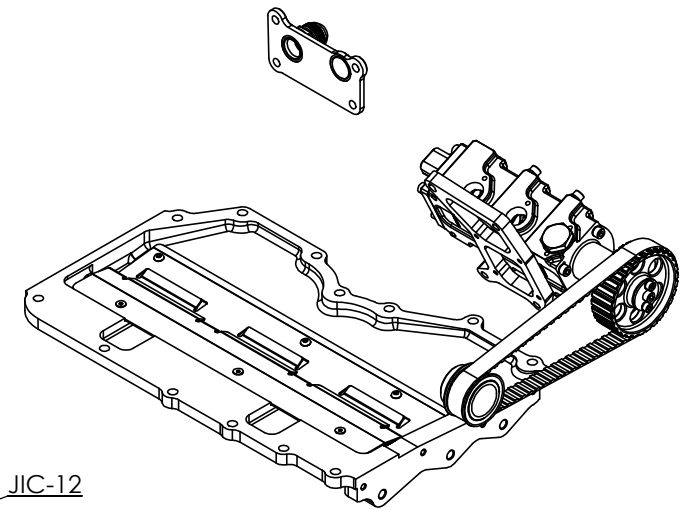
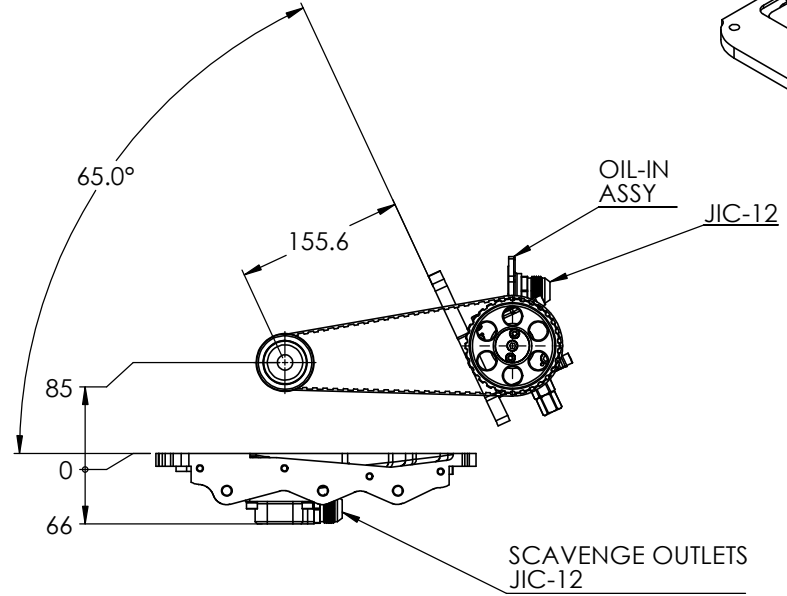


THREAD SIZE FOR ALL PUMP FITTINGS
M22X1.5 - 6H



NOTES:

1. SCAVENGE DISPLACEMENT PER REVOLUTION PER STAGE = 14.3 CC/REV
2. SCAVENGE DISPLACEMENT AT 1000 RPM = 14.3 LT/MIN
3. PUMP DISPLACEMENT PER REVOLUTION PER STAGE = 20.1 CC/REV
4. PUMP DISPLACEMENT AT 1000 RPM = 20.1 LT/MIN
5. DRIVE RATIO - 16/30

S-CAN 3D Ltd
Bunns Bank Ind Est
Attleborough NR17 1QD

THIRD ANGLE PROJECTION

SCALE 1:5	WEIGHT 6.5 kg
DRAWN - S.HOW	
DATE - 19/06/19	
CHECKED - S.HOW	
APPROVED - A.CLIFTON	

MATERIAL	SEE COMPONENT PARTS
FINISH	SEE COMPONENT PARTS
DRAWING TITLE	ASSY - SUMP KIT - FORD - DURATEC - 3/4" BELT - INTAKE
DRAWING NUMBER	105-102-00011

UNLESS OTHERWISE STATED:
DIMENSIONS IN MILLIMETRES
TOLERANCES: LINEAR ± 0.1 ANGULAR ± 0.5°
SURFACE FINISH: √ = √
DRAWING STANDARDS TO ATQS 6003
DATE FORMAT: DD/MM/YY

THIS DESIGN IS THE PROPERTY OF S-CAN 3D LTD AND MUST NOT BE REPRODUCED OR COMMUNICATED WITHOUT AUTHORITY

CAD PLOT DO NOT SCALE