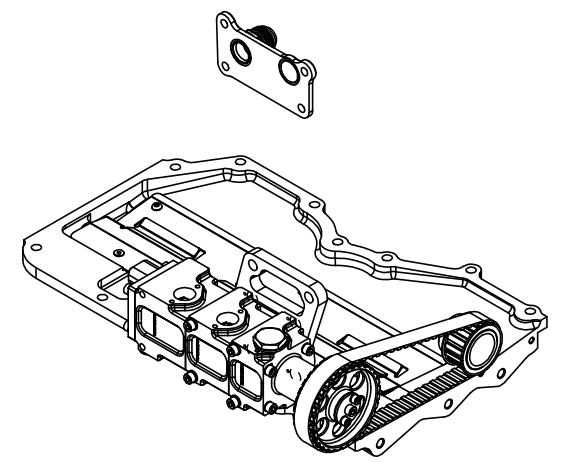
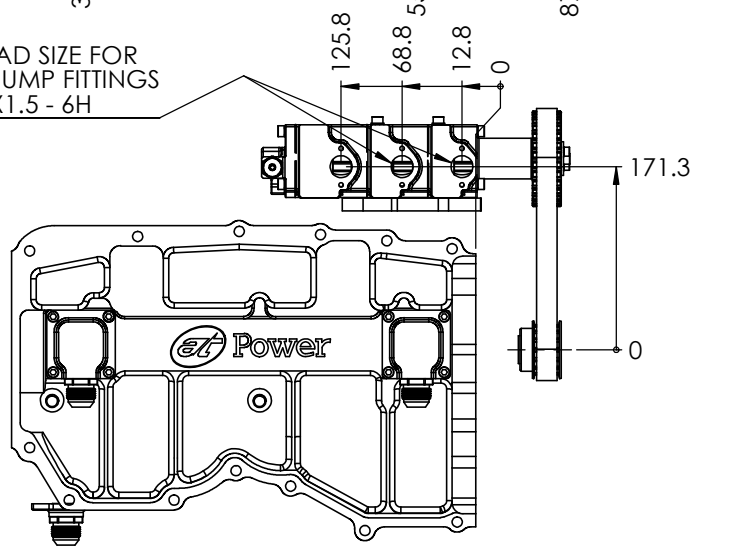
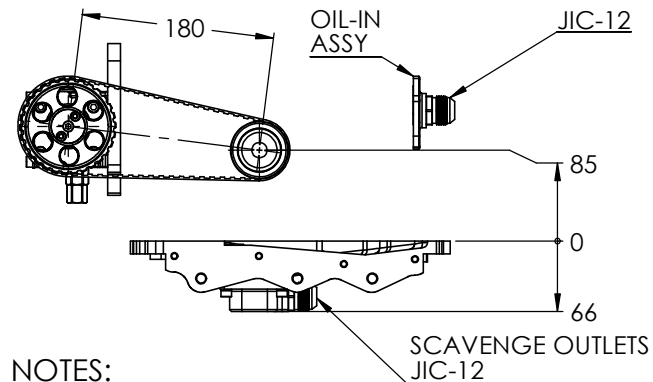


THREAD SIZE FOR ALL PUMP FITTINGS
M22X1.5 - 6H


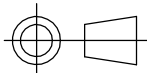


ISOMETRIC VIEW



NOTES:

1. SCAVENGE DISPLACEMENT PER REVOLUTION PER STAGE = 14.3 CC/REV
2. SCAVENGE DISPLACEMENT AT 1000 RPM = 14.3 LT/MIN
3. PUMP DISPLACEMENT PER REVOLUTION PER STAGE = 20.1 CC/REV
4. PUMP DISPLACEMENT AT 1000 RPM = 20.1 LT/MIN
5. DRIVE RATIO - 16/30

 S-CAN 3D Ltd Bunn's Bank Ind Est Attleborough NR17 1QD	 THIRD ANGLE PROJECTION		MATERIAL
	SCALE 1:5	WEIGHT 6.5 kg	SEE COMPONENT PARTS
UNLESS OTHERWISE STATED: DIMENSIONS IN MILLIMETRES TOLERANCES: LINEAR ± 0.1 ANGULAR ± 0.5° SURFACE FINISH √ = √ DRAWING STANDARDS TO ATQS 6003 DATE FORMAT: DD/MM/YY	DRAWN- S.HOW		FINISH
	DATE - 19/06/19		SEE COMPONENT PARTS
THIS DESIGN IS THE PROPERTY OF S-CAN 3D LTD AND MUST NOT BE REPRODUCED OR COMMUNICATED WITHOUT AUTHORITY	CHECKED - S.HOW		DRAWING TITLE
	APPROVED - A.CLIFTON		ASSY - SUMP KIT - FORD - DURATEC - 3/4" BELT - EXHAUST - 2.3L
CAD PLOT DO NOT SCALE		DRAWING NUMBER	
		105-102-00013	
		SHEET 2 OF 2 A3	