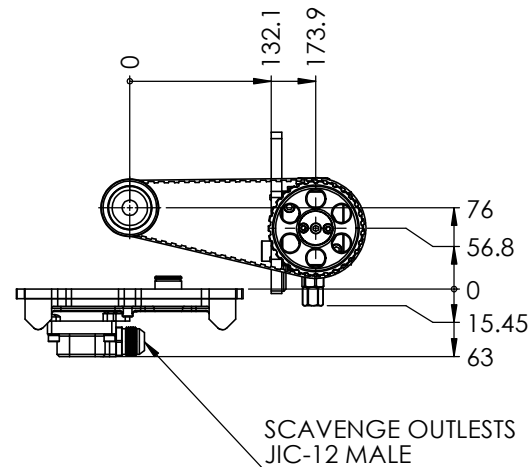

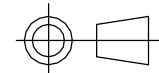


ISOMETRIC VIEW



NOTES:

1. DISPLACEMENT PER REVERLUTION PER STAGE = 11.9 CC/REV
2. DISPLACEMENT AT 1000 PUMP RPM = 11.9 LT/MIN
3. DRIVE RATIO - 16/30

 S-CAN 3D Ltd Bunn's Bank Ind Est Atleborough NR17 1QD	 THIRD ANGLE PROJECTION	MATERIAL	SEE COMPONENT PARTS
		FINISH	SEE COMPONENT PARTS
UNLESS OTHERWISE STATED: DIMENSIONS IN MILLIMETRES TOLERANCES: LINEAR \pm 0.1 ANGULAR \pm 0.5° SURFACE FINISH \surd = \surd DRAWING STANDARDS TO ATQS 6003 DATE FORMAT: DD/MM/YY	SCALE	WEIGHT	DRAWING TITLE
	1:5	5.3 kg	ASSY - SUMP KIT - FORD - SIGMA - 3/4" BELT - INTAKE SIDE - OIL FEED & SCAVENGE
THIS DESIGN IS THE PROPERTY OF S-CAN 3D LTD AND MUST NOT BE REPRODUCED OR COMMUNICATED WITHOUT AUTHORITY	DRAWN-	S.HOW	DRAWING NUMBER
	DATE -	23/01/19	105-102-00016
	CHECKED -	S.HOW	
	APPROVED -	A.CLIFTON	
	CAD PLOT DO NOT SCALE		SHEET 2 OF 2 A3