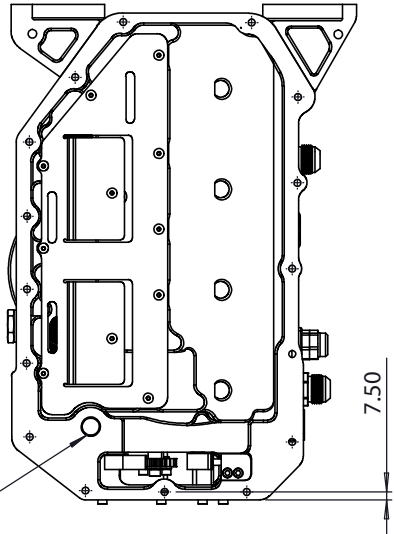


TURBO DRAIN
M22 X 1.5 PITCH
BLANKING PLUG SUPPLIED

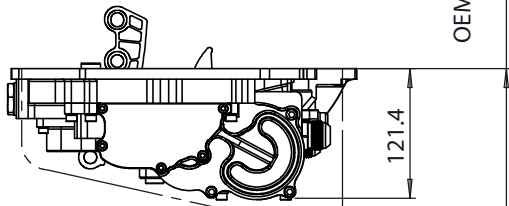
OIL FEED TO MAIN
GALLERY AS PER OEM

UTILISING EXISTING CHAIN
AND FIXED CHAIN GUIDE



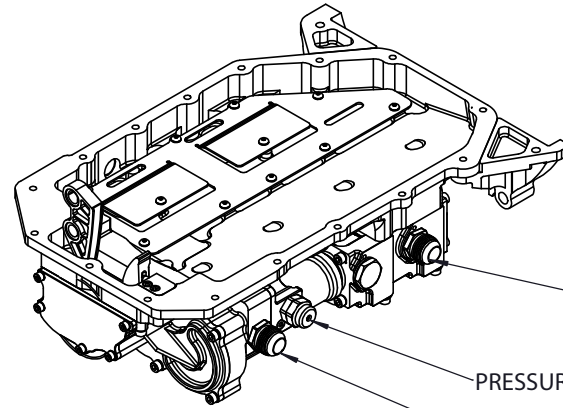
7.50

OEM WET SUMP
150



121.4

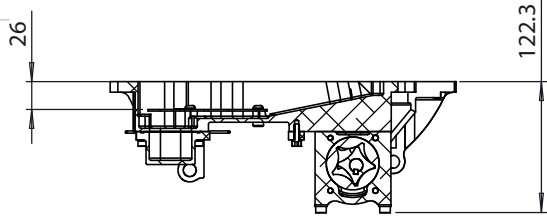
OEM WET SUMP PROFILE



SCAVENGE OUTLET
JIC-12

PRESSURE RELIEF VALVE (PRV)

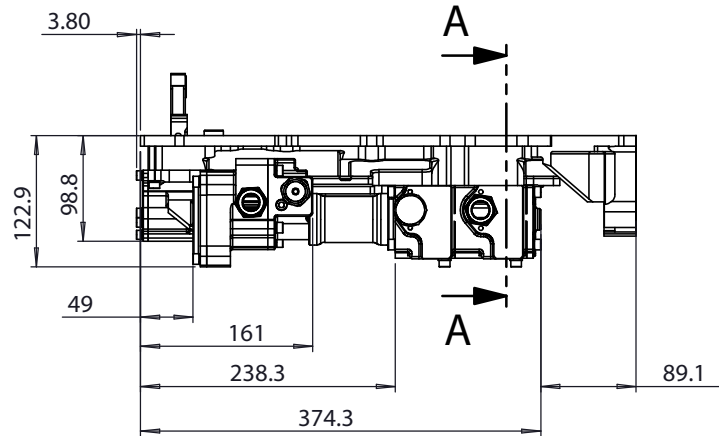
OIL PUMP IN
JIC-12



26

122.3

SECTION A-A



3.80

A

122.9

98.8

49

161

238.3

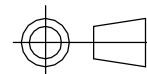
A

374.3

89.1



S-CAN 3D Ltd
Bunns Bank Ind Est
Attleborough NR17 1QD



THIRD ANGLE PROJECTION

SCALE
1:5

WEIGHT
10.6 kg

DRAWN - S.HOW

DATE - 30/08/23

CHECKED - S.HOW

APPROVED - A.CLIFTON

UNLESS OTHERWISE STATED:
DIMENSIONS IN MILLIMETRES
TOLERANCES: LINEAR ±0.1 ANGULAR ±0.5°
SURFACE FINISH √ = √
DRAWING STANDARDS TO ATQS 6003
DATE FORMAT: DD/MM/YY

THIS DESIGN IS THE PROPERTY OF
S-CAN 3D LTD AND MUST NOT BE
REPRODUCED OR COMMUNICATED
WITHOUT AUTHORITY

CAD PLOT
DO NOT
SCALE

MATERIAL

SEE COMPONENT PARTS

FINISH

SEE COMPONENT PARTS

DRAWING TITLE

ASSY - HONDA K20/24
INTERGRATED SUMP KIT V2

DRAWING NUMBER

105-102-00044

SHEET 2 OF 2 A3