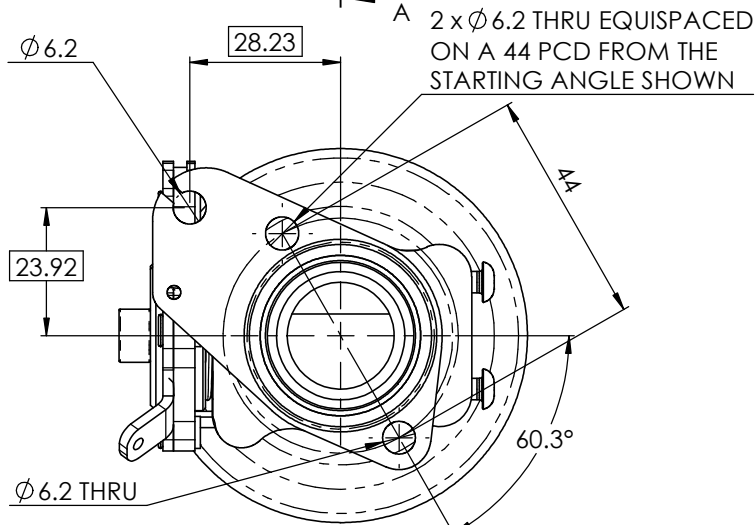


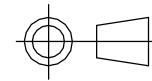
ISOMETRIC VIEW



SECTION A-A  
 $\phi 19.99$   
 $\phi 19.92$



S-CAN 3D Ltd  
 Bunn's Bank Ind Est  
 Attleborough NR17 1QD



THIRD ANGLE PROJECTION

SCALE 1:1 WEIGHT 0.3 kg

DRAWN- S.HOW

DATE - 06/06/18

CHECKED - S.HOW

APPROVED - A.CLIFTON

MATERIAL  
 SEE COMPONENT PARTS

FINISH  
 SEE COMPONENT PARTS

DRAWING TITLE  
**ASSY - ATP - FORMULA  
 STUDENT - 28MM - 20MM  
 RESTRICTOR**

DRAWING NUMBER  
**102-102-00010**