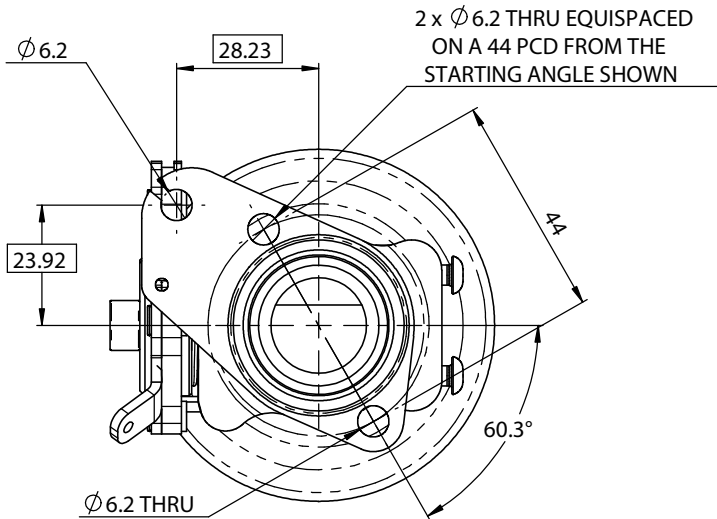

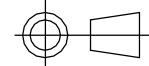


ISOMETRIC VIEW



SECTION A-A

 S-CAN 3D Ltd Buns Bank Ind Est Attleborough NR17 1QD	 THIRD ANGLE PROJECTION		MATERIAL
	SCALE 1:1	WEIGHT 0.3 kg	SEE COMPONENT PARTS
UNLESS OTHERWISE STATED: DIMENSIONS IN MILLIMETRES TOLERANCES: LINEAR $\pm 0.1$ ANGULAR $\pm 0.5^\circ$ SURFACE FINISH $\sqrt{\text{V}}$ DRAWING STANDARDS TO ATQS 6003 DATE FORMAT: DD/MM/YY THIS DESIGN IS THE PROPERTY OF S-CAN 3D LTD AND MUST NOT BE REPRODUCED OR COMMUNICATED WITHOUT AUTHORITY	DRAWN- S.HOW	FINISH SEE COMPONENT PARTS	
	DATE - 06/06/18	DRAWING TITLE	
	CHECKED - S.HOW	ASSY - ATP - FORMULA STUDENT - 28MM - 19MM RESTRICTOR	
CAD PLOT DO NOT SCALE	APPROVED - A.CLIFTON	DRAWING NUMBER 102-102-00011 + 102-119-00003 SHEET 2 of 2 A3	