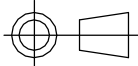
 <p>S-CAN 3D Ltd Bunns Bank Ind Est Attleborough NR17 1QD</p>	 <p>THIRD ANGLE PROJECTION</p>		MATERIAL
	SCALE 1:1	WEIGHT 0.3 kg	SEE COMPONENT PARTS
<p>UNLESS OTHERWISE STATED: DIMENSIONS IN MILLIMETRES TOLERANCES: LINEAR ± 0.1 ANGULAR $\pm 0.5^\circ$ SURFACE FINISH $\sqrt{\text{v}}$ DRAWING STANDARDS TO ATQS 6003 DATE FORMAT: DD/MM/YY</p>	DRAWN- S.HOW	DRAWING TITLE	
	DATE - 06/06/18	ASSY - ATP - FORMULA STUDENT - 28MM - 19MM RESTRICTOR	
THIS DESIGN IS THE PROPERTY OF S-CAN 3D LTD AND MUST NOT BE REPRODUCED OR COMMUNICATED WITHOUT AUTHORITY	CAD PLOT DO NOT SCALE	CHECKED - S.HOW	DRAWING NUMBER
	APPROVED - A.CLIFTON	102-102-00011	