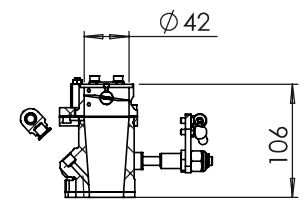
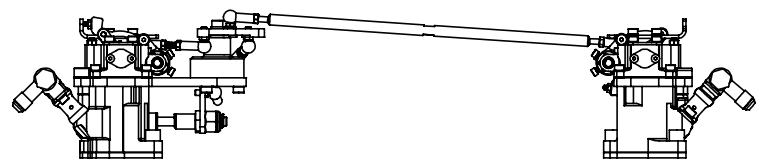
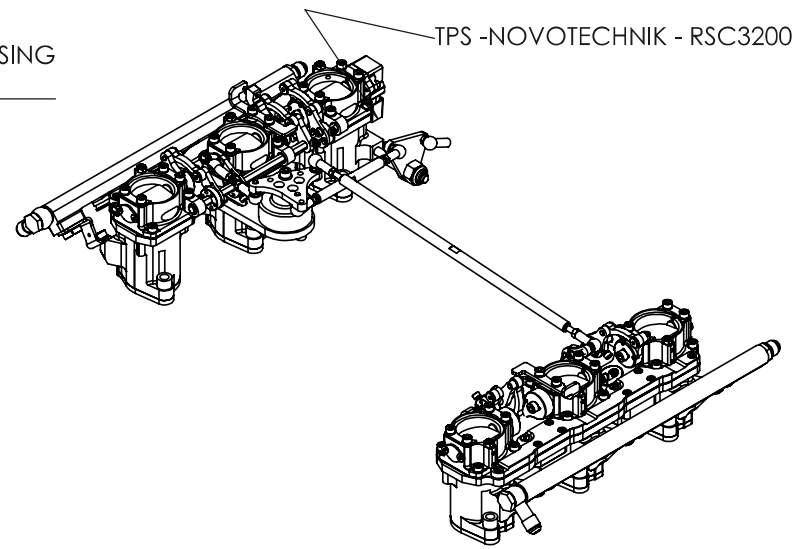

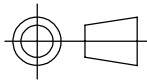


43
FROM SIDE OF THROTTLE HOUSING
TO SIDE OF LEVER ARM



SECTION A-A

 S-CAN 3D Ltd Bunns Bank Ind Est Atleborough NR17 1QD	 THIRD ANGLE PROJECTION		MATERIAL	SEE COMPONENT PARTS
	UNLESS OTHERWISE STATED: DIMENSIONS IN MILLIMETRES TOLERANCES: LINEAR ± 0.1 ANGULAR $\pm 0.5^\circ$ SURFACE FINISH $\checkmark = \checkmark$ DRAWING STANDARDS TO ATQS 6003 DATE FORMAT: DD/MM/YY	SCALE 1:5	WEIGHT 5788.312 kg	FINISH
THIS DESIGN IS THE PROPERTY OF S-CAN 3D LTD AND MUST NOT BE REPRODUCED OR COMMUNICATED WITHOUT AUTHORITY	DRAWN- S.HOW	DATE - 21/04/22	DRAWING TITLE	PORSCHE 911-E - 2.0-2.2L- 2.4L - 1970-73 - 32 DIA PORT TO 42 - CABLE
	CHECKED - S.HOW	APPROVED - A.CLIFTON	DRAWING NUMBER	102-102-00260
	CAD PLOT DO NOT SCALE			SHEET 2 OF 2 A3