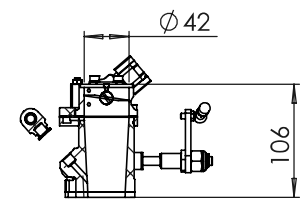
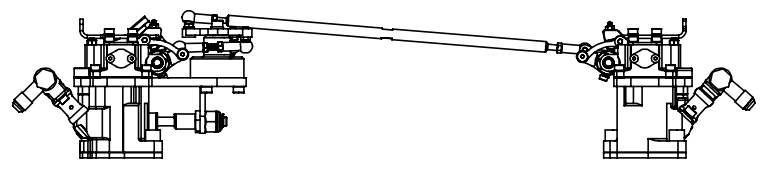
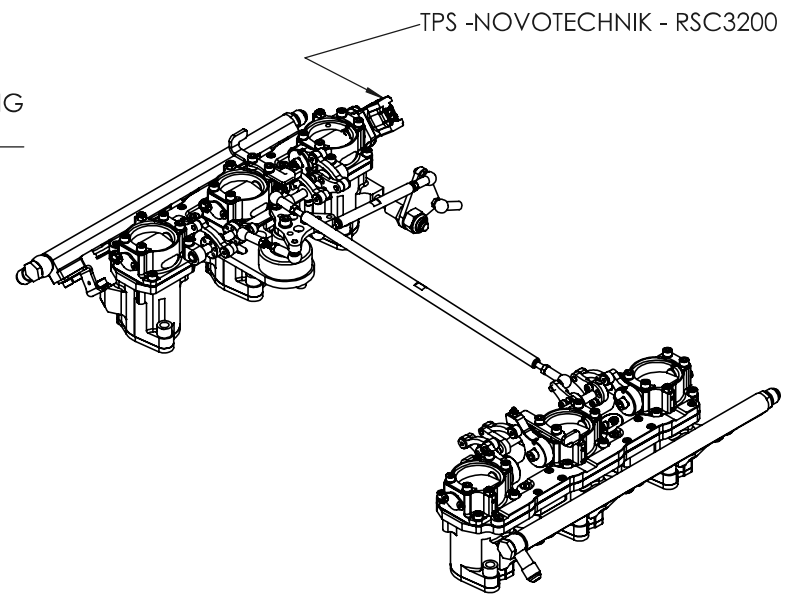

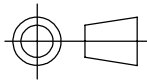


43
FROM SIDE OF THROTTLE HOUSING
TO SIDE OF LEVER ARM



SECTION A-A

 S-CAN 3D Ltd Bunns Bank Ind Est Attleborough NR17 1QD	 THIRD ANGLE PROJECTION	MATERIAL	SEE COMPONENT PARTS
		FINISH	SEE COMPONENT PARTS
<small>UNLESS OTHERWISE STATED: DIMENSIONS IN MILLIMETRES TOLERANCES: LINEAR ± 0.1 ANGULAR ± 0.5° SURFACE FINISH ✓ = ✓ DRAWING STANDARDS TO ATQS 6003 DATE FORMAT: DD/MM/YY</small>	SCALE	WEIGHT	DRAWING TITLE
	1:5	5669.380 kg	
	DRAWN-	S.HOW	DRAWING NUMBER
<small>THIS DESIGN IS THE PROPERTY OF S-CAN 3D LTD AND MUST NOT BE REPRODUCED OR COMMUNICATED WITHOUT AUTHORITY</small>	DATE -	21/04/22	102-102-00261 <small>SHEET 2 OF 2 A3</small>
	CHECKED -	S.HOW	
<small>CAD PLOT DO NOT SCALE</small>	APPROVED -	A.CLIFTON	