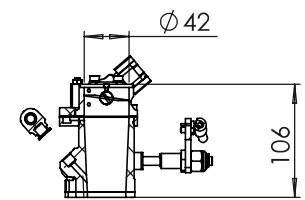
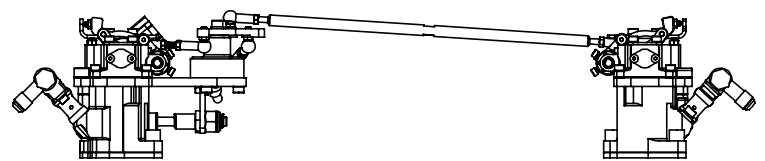
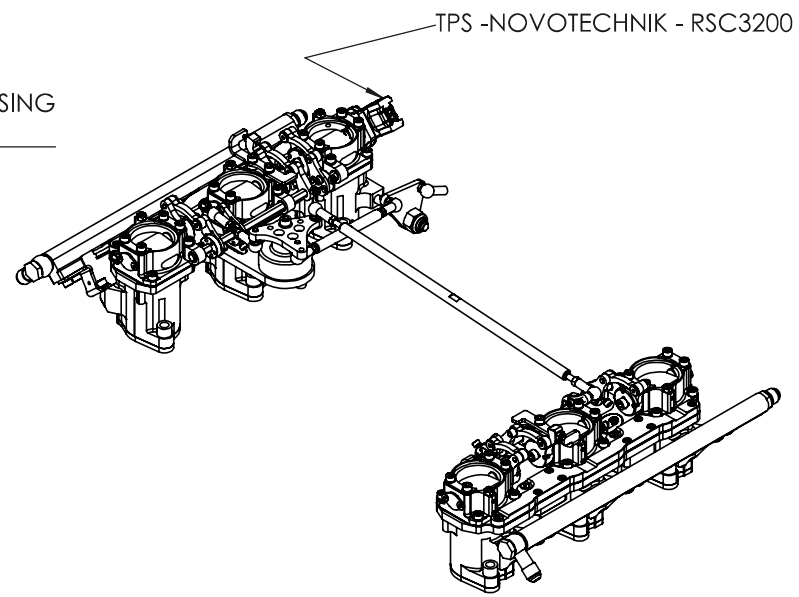
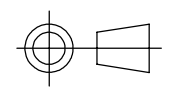


43
FROM SIDE OF THROTTLE HOUSING
TO SIDE OF LEVER ARM



SECTION A-A

S-CAN 3D Ltd
Bunns Bank Ind Est
Atheborough NR17 1QD



THIRD ANGLE PROJECTION
SCALE 1:5 WEIGHT 5636.405 kg

DRAWN- S.HOW
DATE - 21/04/22

CHECKED - S.HOW
APPROVED - A.CLIFTON

UNLESS OTHERWISE STATED:
DIMENSIONS IN MILLIMETRES
TOLERANCES: LINEAR ± 0.1 ANGULAR ± 0.5°
SURFACE FINISH ✓ = ✓
DRAWING STANDARDS TO ATQS 6003
DATE FORMAT: DD/MM/YY
THIS DESIGN IS THE PROPERTY OF
S-CAN 3D LTD AND MUST NOT BE
REPRODUCED OR COMMUNICATED
WITHOUT AUTHORITY

CAD PLOT
DO NOT
SCALE

MATERIAL	SEE COMPONENT PARTS
FINISH	SEE COMPONENT PARTS
DRAWING TITLE	PORSCHE 911-T-RS-RSR - 2.2L-2.7L-2.8L - 1970-77 36 DIA PORT TO 42 - CABLE
DRAWING NUMBER	102-102-00262