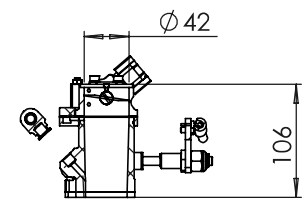
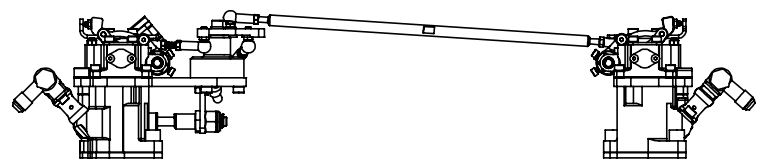
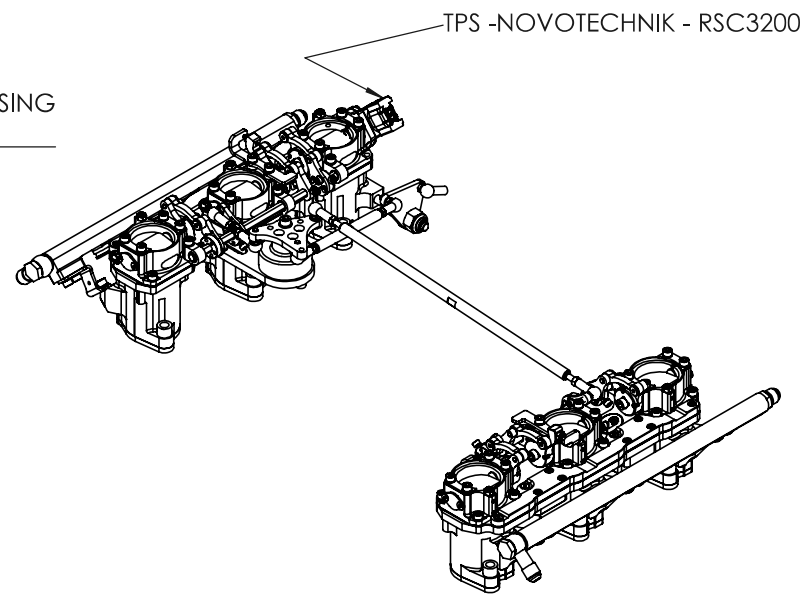



43
FROM SIDE OF THROTTLE HOUSING
TO SIDE OF LEVER ARM



SECTION A-A

 S-CAN 3D Ltd Bunn's Bank Ind Est Atleborough NR17 1QD	 THIRD ANGLE PROJECTION	MATERIAL	SEE COMPONENT PARTS
		FINISH	SEE COMPONENT PARTS
UNLESS OTHERWISE STATED: DIMENSIONS IN MILLIMETRES TOLERANCES: LINEAR ± 0.1 ANGULAR ± 0.5° SURFACE FINISH ✓ = ✓ DRAWING STANDARDS TO ATQS 6003 DATE FORMAT: DD/MM/YY THIS DESIGN IS THE PROPERTY OF S-CAN 3D LTD AND MUST NOT BE REPRODUCED OR COMMUNICATED WITHOUT AUTHORITY	SCALE	WEIGHT	DRAWING TITLE PORSCHE 911-CARRERA 3.0L - 1976-77 - 39 DIA PORT TO 42 - CABLE
	1:5	5524.938 kg	
	DRAWN-	S.HOW	
	DATE -	21/04/22	DRAWING NUMBER
	CHECKED -	S.HOW	102-102-00263
	APPROVED -	A.CLIFTON	