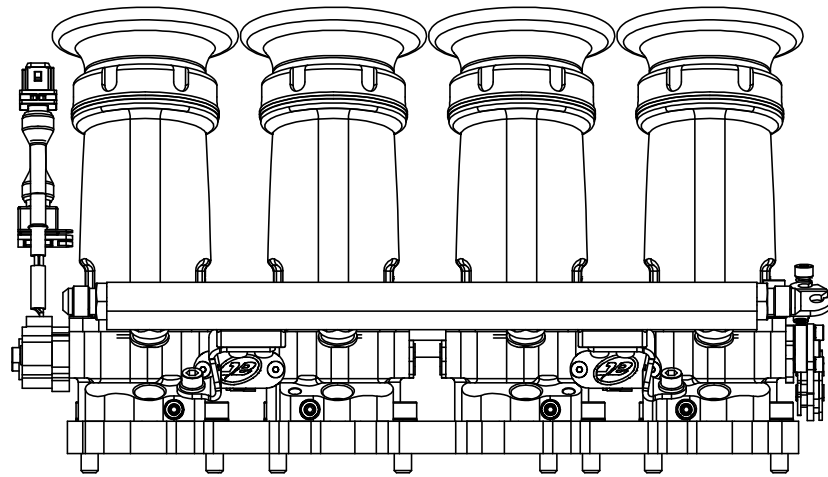


RIGHT SIDE

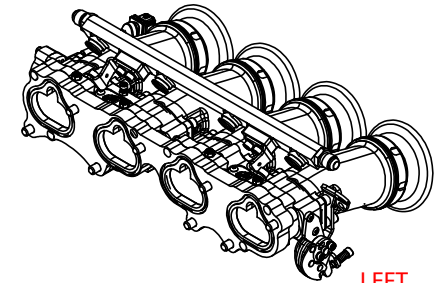
LEFT SIDE



MEGAFLOW AIR FILTER SOLD SEPARATELY  
 JC50/S65  
 PART No. 102-108-00039

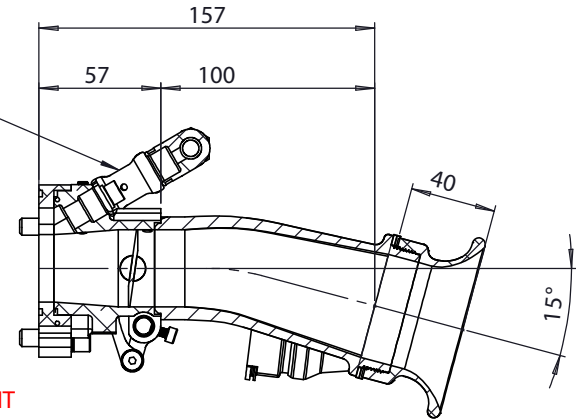
RIGHT SIDE

LEFT SIDE



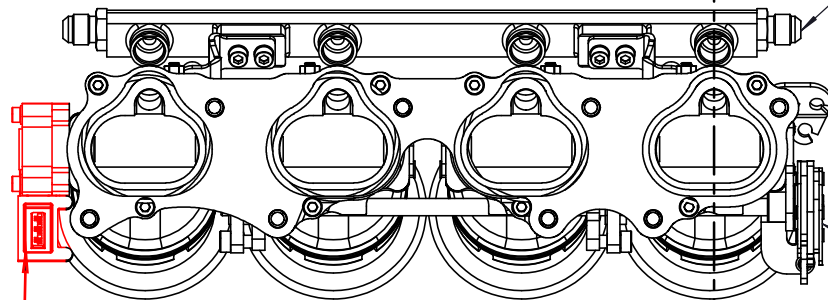
AN-6 MALE FITTINGS AT BOTH ENDS

FUEL RAIL BRACKETS  
FITTED TO SUITE  
PICO INJECTORS



RIGHT SIDE

LEFT SIDE



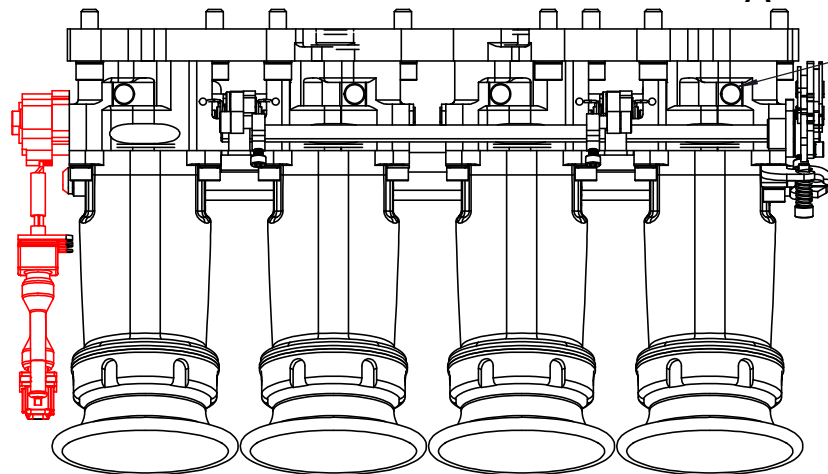
CABLE PULL WITH IDLE ADJUSTMENT  
ON LEFT HAND END

TPS OPTIONS AVAILABLE  
FITTED ON RIGHT SIDE (WABASH PICTURED)

SECTION A-A

RIGHT SIDE

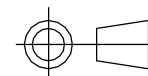
LEFT SIDE



1/8" BSP VACUUM TAKE OFF  
AVAILABLE  
DRILL 4MM HOLES THROUGH IF REQUIRED



S-CAN 3D Ltd  
 Bunn's Bank Ind Est  
 Attleborough NR17 1QD



THIRD ANGLE PROJECTION

SCALE 1:2.5      WEIGHT 2.959 kg

DRAWN - S.HOW

DATE - 19/04/22

CHECKED - S.HOW

APPROVED - S.HOW

MATERIAL

SEE COMPONENT PARTS

FINISH

SEE COMPONENT PARTS

DRAWING TITLE

ASSY - VW ABF THROTTLES -  
BESPOKE

DRAWING NUMBER

102-102-00364

UNLESS OTHERWISE STATED:  
 DIMENSIONS IN MILLIMETRES  
 TOLERANCES: LINEAR ±0.1 ANGULAR ±0.5°  
 SURFACE FINISH √ = √  
 DRAWING STANDARDS TO ATQS 6003  
 DATE FORMAT: DD/MM/YY

THIS DESIGN IS THE PROPERTY OF  
 S-CAN 3D LTD AND MUST NOT BE  
 REPRODUCED OR COMMUNICATED  
 WITHOUT AUTHORITY

CAD PLOT  
 DO NOT  
 SCALE