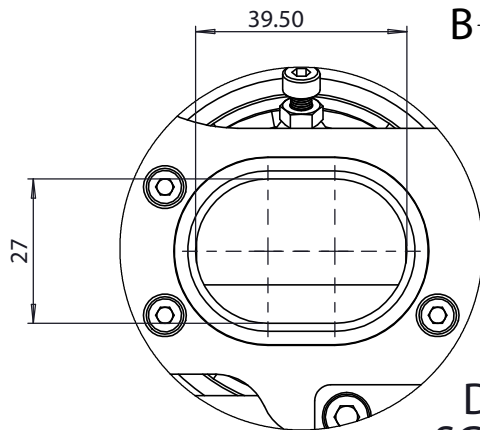
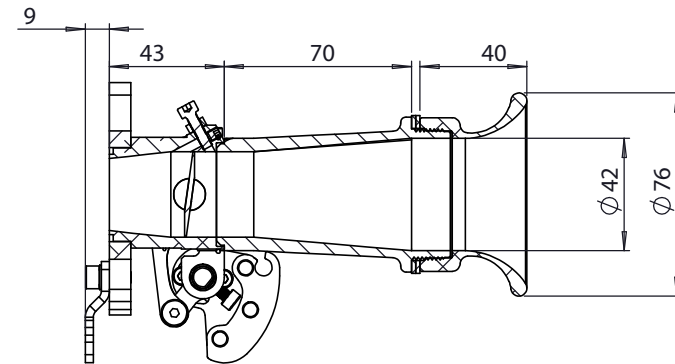
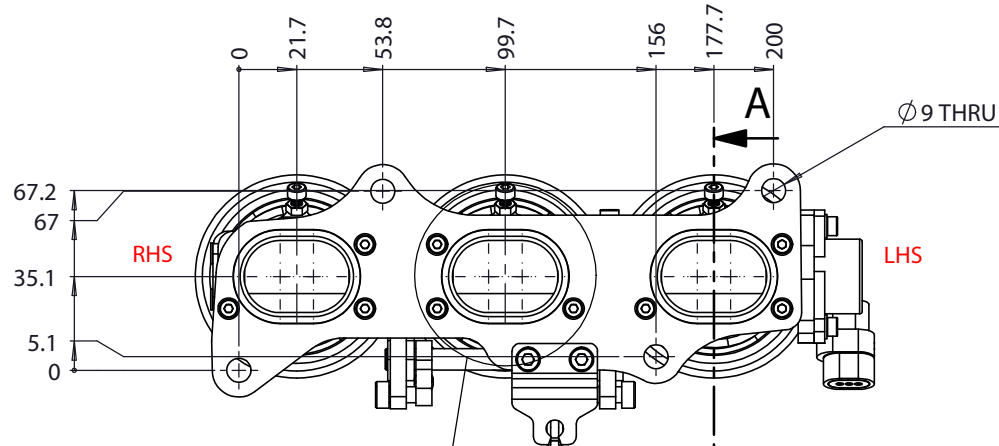


RIGHT HAND SIDE

LEFT HAND SIDE

THROTTLE CABLE PULL


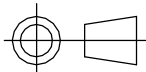
TPS TO BE SELECTED (PF1 PICTURED)



DETAIL B
SCALE 1 : 1

MEGAFLOW AIR FILTER SOLD SEPARATELY
JC40/S/65
SKU: 102-108-0043

SECTION A-A

 S-CAN 3D Ltd Bunn's Bank Ind Est Attleborough NR17 1QD	 THIRD ANGLE PROJECTION	MATERIAL		SEE COMPONENT PARTS	
		SCALE 1:2		WEIGHT 1338.130 kg	FINISH
UNLESS OTHERWISE STATED: DIMENSIONS IN MILLIMETRES TOLERANCES: LINEAR ± 0.1 ANGULAR $\pm 0.5^\circ$ SURFACE FINISH $\sqrt{=}$ DRAWING STANDARDS TO ATQS 6003 DATE FORMAT: DD/MM/YY THIS DESIGN IS THE PROPERTY OF S-CAN 3D LTD AND MUST NOT BE REPRODUCED OR COMMUNICATED WITHOUT AUTHORITY	DRAWN-	S.HOW		DRAWING TITLE	ASSY - TOYOTA D-1KR-FE THROTTLES
	DATE-	27/09/23		DRAWING NUMBER	102-102-00472
	CHECKED-	S.HOW		APPROVED-	A.CLIFTON
CAD PLOT DO NOT SCALE	APPROVED-	A.CLIFTON			