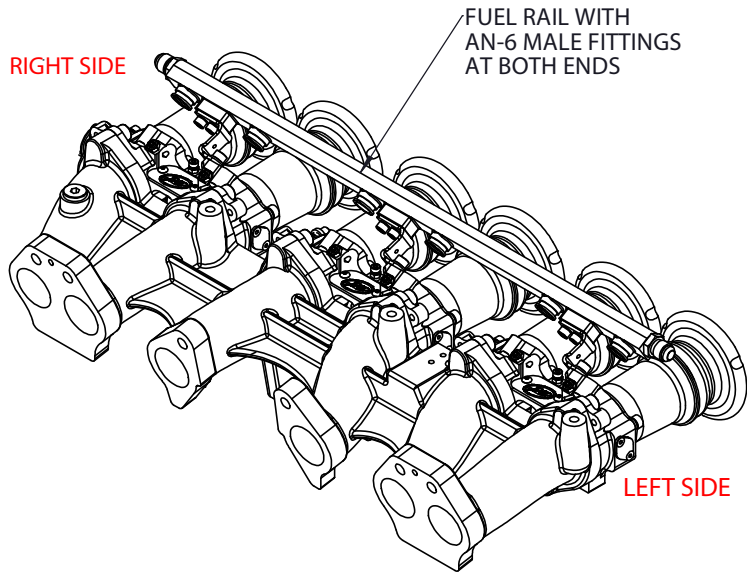
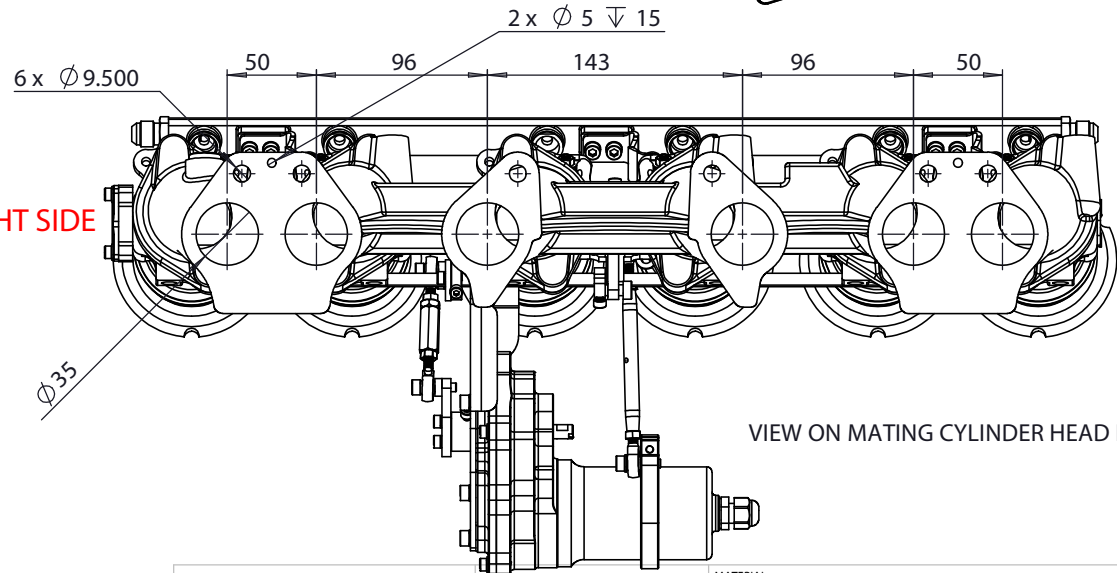
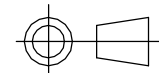


PRE-CONFIGURED DBW MOUNTING BRACKETRY  
(THROTTLES COME ASSEMBLED)

IF SELECTED: HALL EFFECT  
SENSOR IS FITTED HERE



S-CAN 3D Ltd  
Bunns Bank Ind Est  
Attleborough NR17 1QD



THIRD ANGLE PROJECTION

SCALE 1:3 WEIGHT 7330.564 kg

DRAWN- S.HOW

DATE- 01/03/24

CHECKED - S.HOW

APPROVED - A.CLIFTON

UNLESS OTHERWISE STATED:  
DIMENSIONS IN MILLIMETRES  
TOLERANCES: LINEAR ±0.1 ANGULAR ±0.5°  
SURFACE FINISH √ = √  
DRAWING STANDARDS TO ATQS 6003  
DATE FORMAT: DD/MM/YY

THIS DESIGN IS THE PROPERTY OF  
S-CAN 3D LTD AND MUST NOT BE  
REPRODUCED OR COMMUNICATED  
WITHOUT AUTHORITY

CAD PLOT  
DO NOT  
SCALE

MATERIAL

SEE COMPONENT PARTS

FINISH

SEE COMPONENT PARTS

DRAWING TITLE

ASSY - THROTTLES - DATSUN  
240/260 & 280Z - 70 EXT X 40  
RAMS - DBW

DRAWING NUMBER

102-102-00496