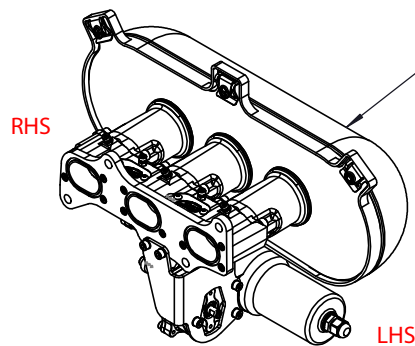


PRE-CONFIGURED DBW MOUNTING BRACKETRY
(THROTTLES COME ASSEMBLED)

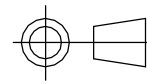
SECTION A-A



MEGAFLOW AIR FILTER SOLD SEPARATELY
JC40/S/65
SKU: 102-108-00043



S-CAN 3D Ltd
Bunns Bank Ind Est
Attleborough NR17 1QD



THIRD ANGLE PROJECTION

SCALE 1:2 WEIGHT 4524.413 kg

DRAWN - S.HOW

DATE - 25/10/24

CHECKED - S.HOW

APPROVED - S.HOW

UNLESS OTHERWISE STATED:
DIMENSIONS IN MILLIMETRES
TOLERANCES: LINEAR ±0.1 ANGULAR ±0.5°
SURFACE FINISH ✓ = ✓
DRAWING STANDARDS TO ATQS 6003
DATE FORMAT: DD/MM/YY

THIS DESIGN IS THE PROPERTY OF
S-CAN 3D LTD AND MUST NOT BE
REPRODUCED OR COMMUNICATED
WITHOUT AUTHORITY

CAD PLOT
DO NOT
SCALE

MATERIAL

SEE COMPONENT PARTS

FINISH

SEE COMPONENT PARTS

DRAWING TITLE

ASSY - TOYOTA D-1KR-FE
THROTTLES - DBW

DRAWING NUMBER

102-102-00530