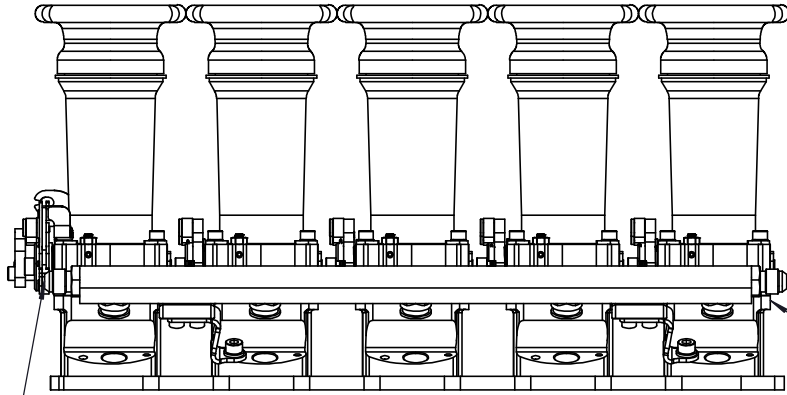


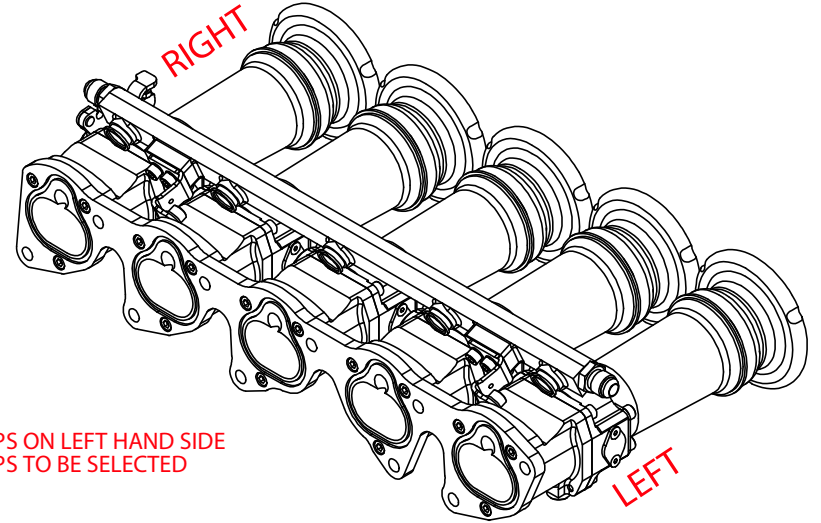
RIGHT

THROTTLE CABLE LINKAGE
ON RIGHT HAND SIDE



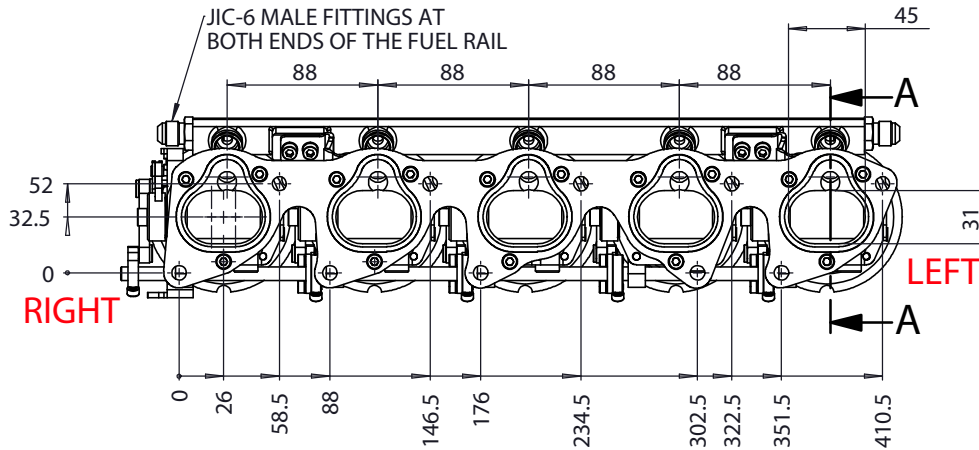
LEFT

TPS ON LEFT HAND SIDE
TPS TO BE SELECTED



RIGHT

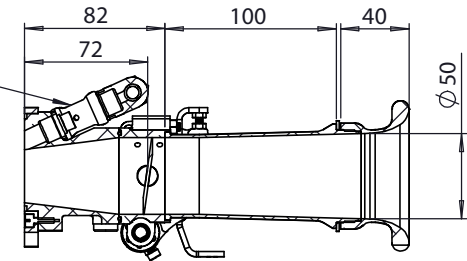
LEFT



RIGHT

LEFT

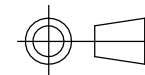
SUITABLE FOR PICO
FUEL INJECTORS



SECTION A-A



S-CAN 3D Ltd
Bunns Bank Ind Est
Attleborough NR17 1QD



THIRD ANGLE PROJECTION

SCALE 1:3 WEIGHT 4.0 kg

DRAWN - S.HOW

DATE - 20/05/25

CHECKED - S.HOW

APPROVED - S.HOW

UNLESS OTHERWISE STATED:
DIMENSIONS IN MILLIMETRES
TOLERANCES: LINEAR ± 0.1 ANGULAR $\pm 0.5^\circ$
SURFACE FINISH $\sqrt{\text{V}}$
DRAWING STANDARDS TO ATQS 6003
DATE FORMAT: DD/MM/YY
THIS DESIGN IS THE PROPERTY OF
S-CAN 3D LTD AND MUST NOT BE
REPRODUCED OR COMMUNICATED
WITHOUT AUTHORITY

CAD PLOT
DO NOT
SCALE

MATERIAL

SEE COMPONENT PARTS

FINISH

SEE COMPONENT PARTS

DRAWING TITLE

ASSY - AUDI 5 CYLINDER -
PRE-CONFIGURED

DRAWING NUMBER

102-102-00571

SHEET 2 OF 2 A3