

RIGHT SIDE

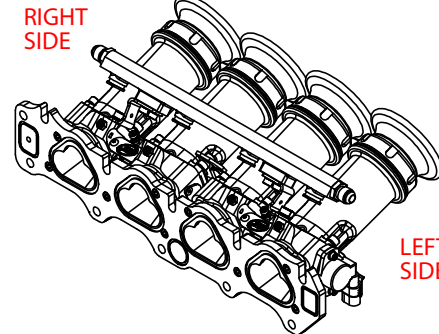
LEFT SIDE

AN-6 MALE FITTINGS  
BOTH ENDS  
FUEL RAIL BRACKETS TO  
SUITE PICO INJECTORS

CENTRE PULL CABLE LINKAGE  
AND IDLE ADJUSTMENT

TPS OPTIONS AVAILABLE

MEGAFLOW AIR FILTER SOLD SEPARATLY  
JC50/S65  
PART No. 102-108-00039

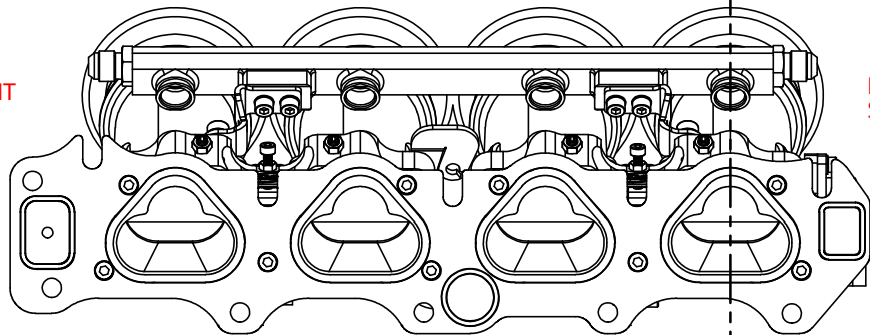


RIGHT SIDE

LEFT SIDE

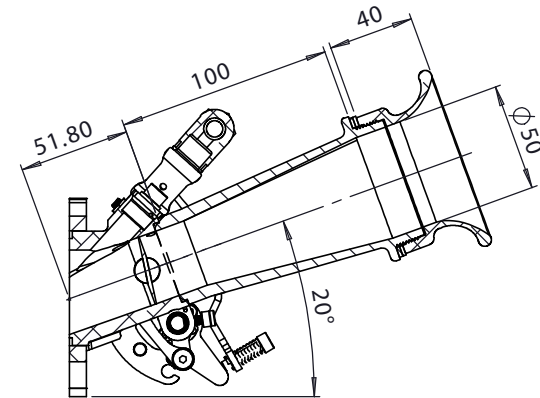
RIGHT SIDE

LEFT SIDE

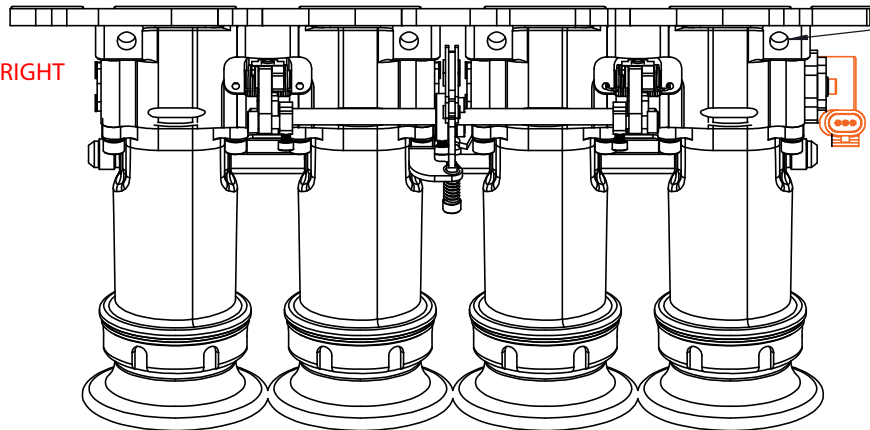


A

A



SECTION A-A



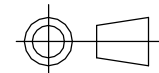
RIGHT

LEFT

1/8" BSP VACUUM TAKE OFFS  
AVAILABLE  
DRILL 4MM HOLE THROUGH IF REQUIRED



S-CAN 3D Ltd  
Bunns Bank Ind Est  
Attleborough NR17 1QD



THIRD ANGLE PROJECTION

SCALE 1:2.5 WEIGHT 2780.586g

DRAWN- S.HOW

DATE- 15/07/25

CHECKED- S.HOW

APPROVED- S.HOW

UNLESS OTHERWISE STATED:  
DIMENSIONS IN MILLIMETRES  
TOLERANCES: LINEAR ±0.1 ANGULAR ±0.5°  
SURFACE FINISH ✓ = ✓  
DRAWING STANDARDS TO ATQS 6003  
DATE FORMAT: DD/MM/YY

THIS DESIGN IS THE PROPERTY OF  
S-CAN 3D LTD AND MUST NOT BE  
REPRODUCED OR COMMUNICATED  
WITHOUT AUTHORITY

CAD PLOT  
DO NOT  
SCALE

MATERIAL  
SEE COMPONENT PARTS

FINISH  
SEE COMPONENT PARTS

DRAWING TITLE  
**ASSY - HOUSING - TWIN -  
VAUXHALL - X16XE - PRE-  
CONFIGURED**

DRAWING NUMBER  
**102-102-00583**