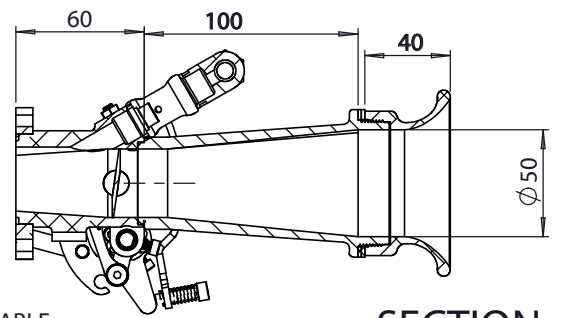
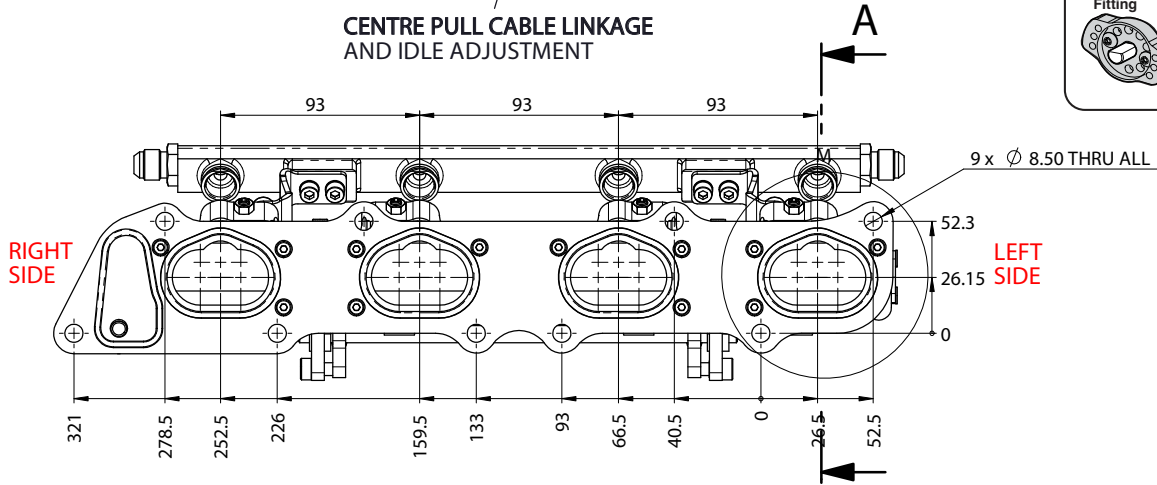
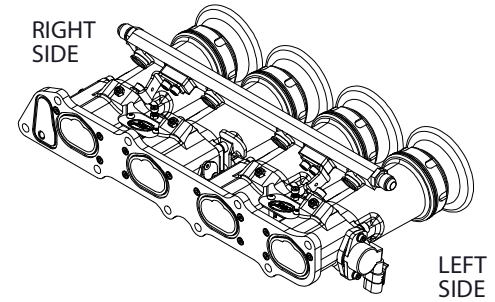


AN-6 MALE FITTINGS  
BOTH ENDS  
FUEL RAIL BRACKETS TO  
SUITE PICO INJECTORS

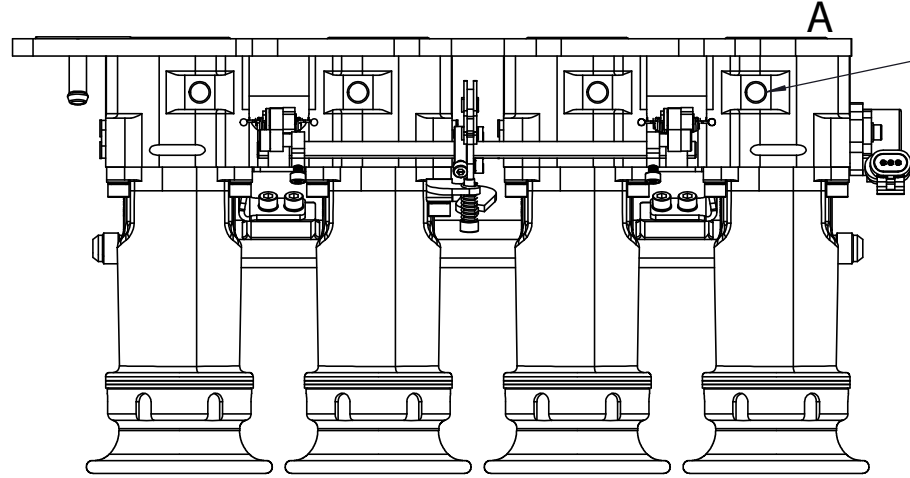
SELECT TPS SIDE & TPS:

|                             |     |               |     |
|-----------------------------|-----|---------------|-----|
| <b>Magneti Marelli Type</b> |     | <b>Wabash</b> |     |
| Fitting                     | TPS | Fitting       | TPS |
|                             |     |               |     |
| <b>Variohm XPD</b>          |     |               |     |
| Fitting                     | TPS |               |     |
|                             |     |               |     |

MEGAFLOW AIR FILTER SOLD SEPARATLY  
JC50/S65  
PART No. 102-108-00039

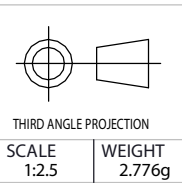


SECTION A-A



1/8" BSP VACUUM TAKE OFFS AVAILABLE  
DRILL 4MM HOLE THROUGH IF REQUIRED

S-CAN 3D Ltd  
Bunns Bank Ind Est  
Attleborough NR17 1QD



|                |   |
|----------------|---|
| MATERIAL       | SEE COMPONENT PARTS                                       |
| FINISH         | SEE COMPONENT PARTS                                       |
| DRAWING TITLE  | ASSY - HOUSING - TWIN - VAUXHALL - X20XE - PRE-CONFIGURED |
| DRAWING NUMBER | 102-102-00584   |

UNLESS OTHERWISE STATED:  
DIMENSIONS IN MILLIMETRES  
TOLERANCES: LINEAR ±0.1 ANGULAR ±0.5°  
SURFACE FINISH √ = √  
DRAWING STANDARDS TO ATQS 6003  
DATE FORMAT: DD/MM/YY

THIS DESIGN IS THE PROPERTY OF S-CAN 3D LTD AND MUST NOT BE REPRODUCED OR COMMUNICATED WITHOUT AUTHORITY

CAD PLOT DO NOT SCALE

|           |          |
|-----------|----------|
| DRAWN-    | S.HOW    |
| DATE-     | 15/07/25 |
| CHECKED-  | S.HOW    |
| APPROVED- | S.HOW    |