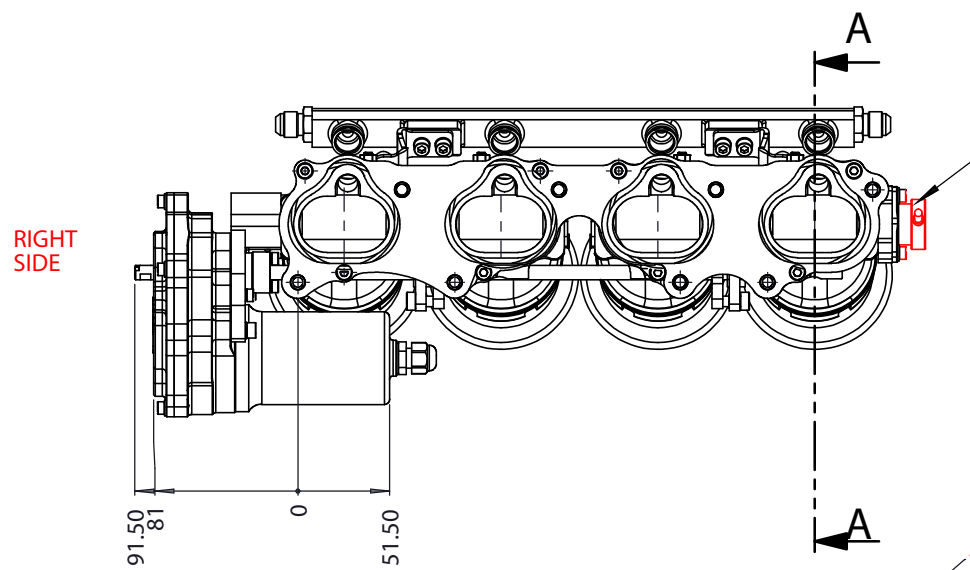
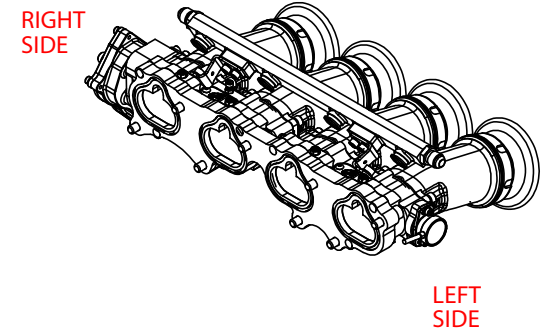
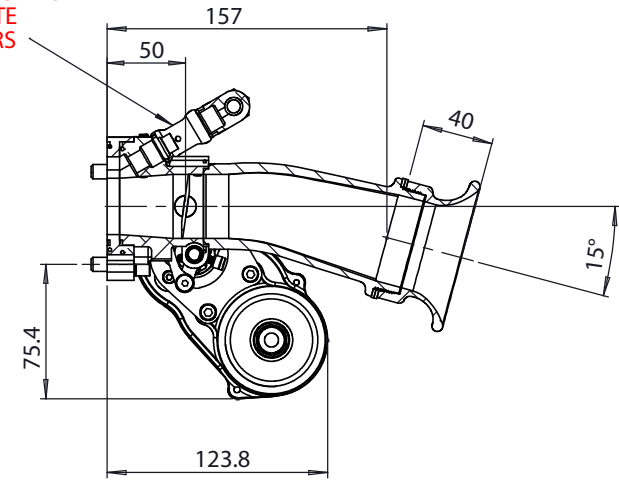


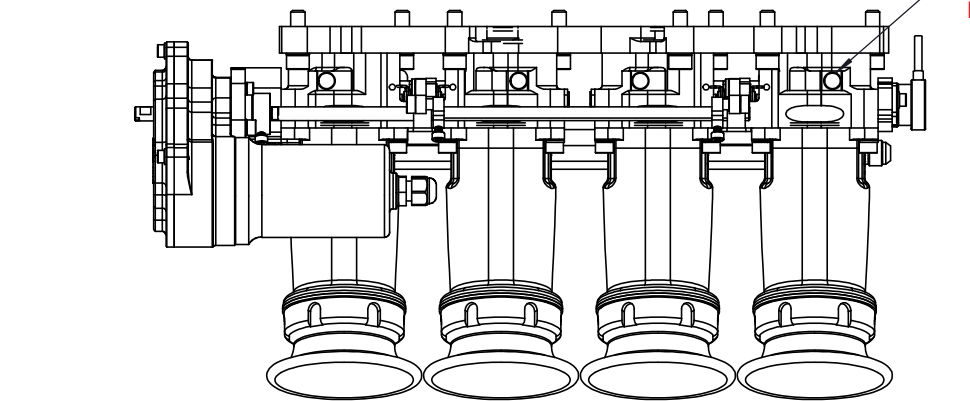
MEGAFLOW AIR FILTER SOLD SEPARATELY
JC50/S65
PART No. 102-108-00039



FUEL RAIL BRACKETS
FITTED TO SUITE
PICO INJECTORS



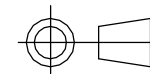
SECTION A-A



1/8" BSP VACUUM TAKE OFF
AVAILABLE
DRILL 4MM HOLES THROUGH IF REQUIRED



S-CAN 3D Ltd
Bunns Bank Ind Est
Attleborough NR17 1QD



THIRD ANGLE PROJECTION

SCALE 1:3 WEIGHT 3.888 kg

DRAWN- S.HOW

DATE- 22/12/25

CHECKED- S.HOW

APPROVED- S.HOW

UNLESS OTHERWISE STATED:
DIMENSIONS IN MILLIMETRES
TOLERANCES: LINEAR ± 0.1 ANGULAR $\pm 0.5^\circ$
SURFACE FINISH $\sqrt{\text{V}}$
DRAWING STANDARDS TO ATQS 6003
DATE FORMAT: DD/MM/YY

THIS DESIGN IS THE PROPERTY OF
S-CAN 3D LTD AND MUST NOT BE
REPRODUCED OR COMMUNICATED
WITHOUT AUTHORITY

CAD PLOT
DO NOT
SCALE

MATERIAL

SEE COMPONENT PARTS

FINISH

SEE COMPONENT PARTS

DRAWING TITLE

ASSY - HOUSING - TWIN -
VW - ABF - **DBW** ON R/H
SIDE - PRE-CONFIGURED

DRAWING NUMBER

102-102-00647