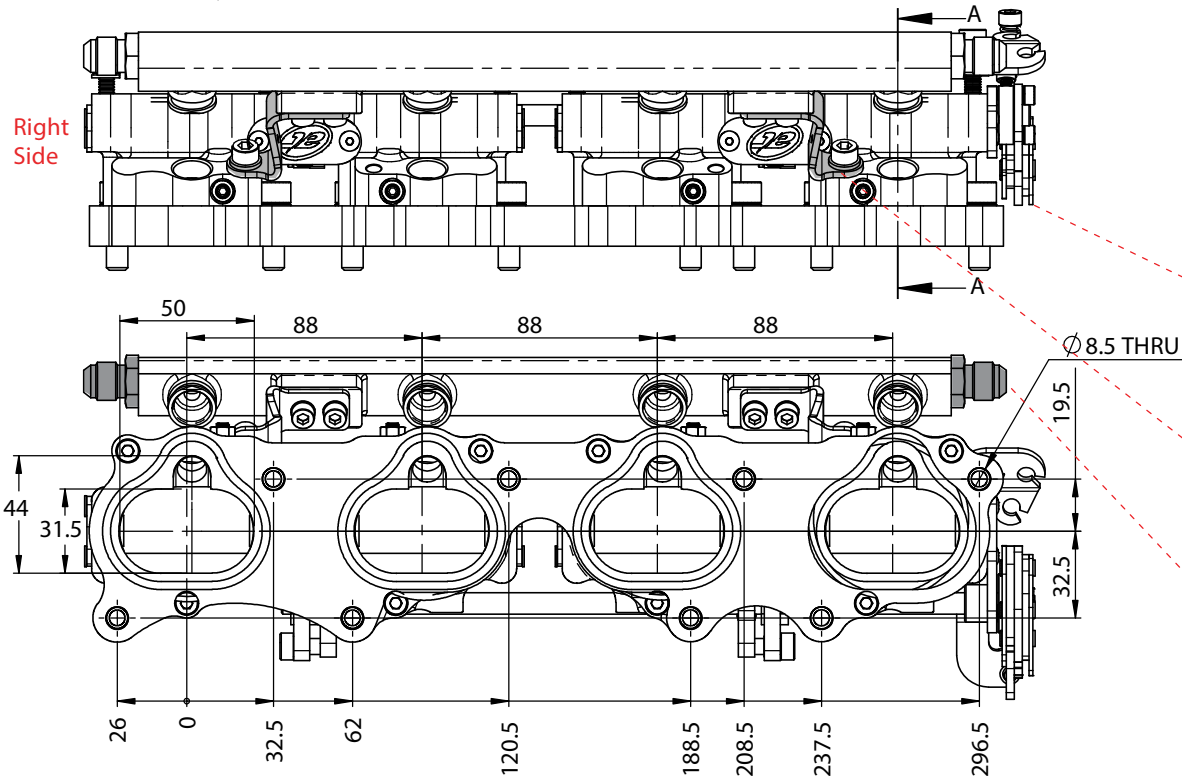


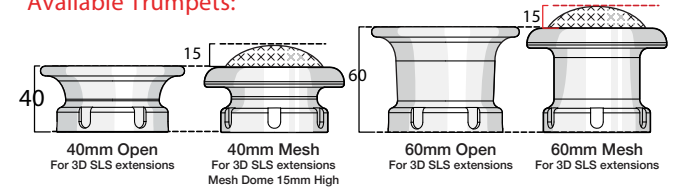
**NOTE;**

**BLADE DIMENSIONS - 50 WIDE x 36 HIGH**  
 =  $\varnothing$  45mm EQUIVALENT OVAL

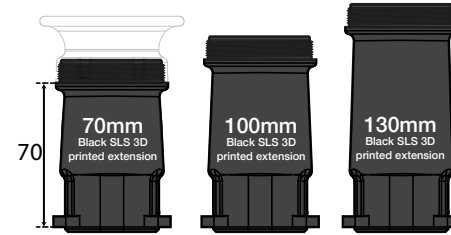


**Ensure sizes fit in engine**

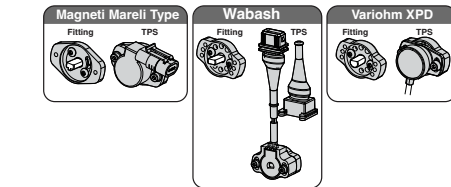
**Available Trumpets:**



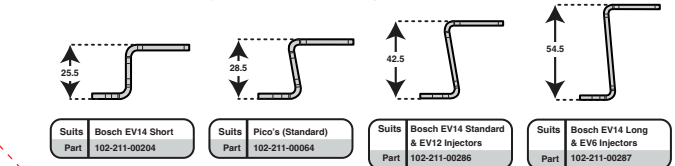
**Available Extension Lengths: Contact us for curved**



**Available Right Hand TPS Options**



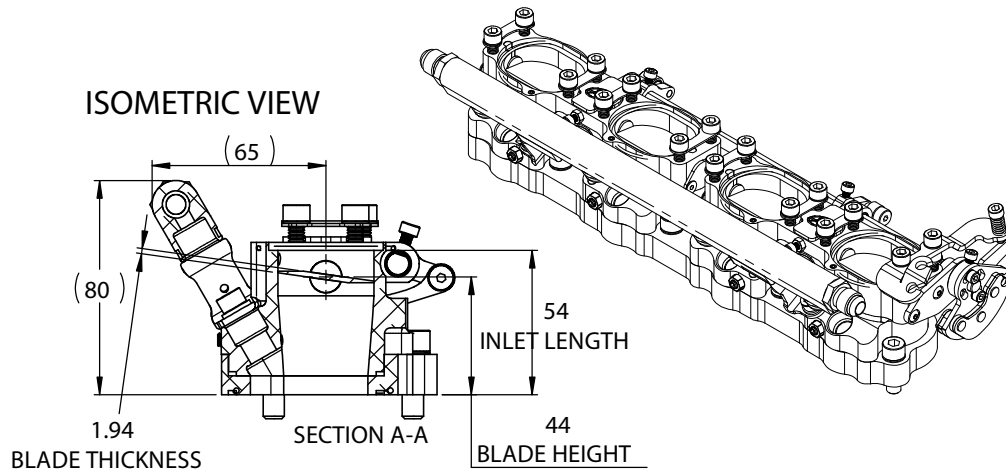
**Available Fuel Injector Mounting Brackets:**



**Available Fuel Rail End Fittings:**



**ISOMETRIC VIEW**

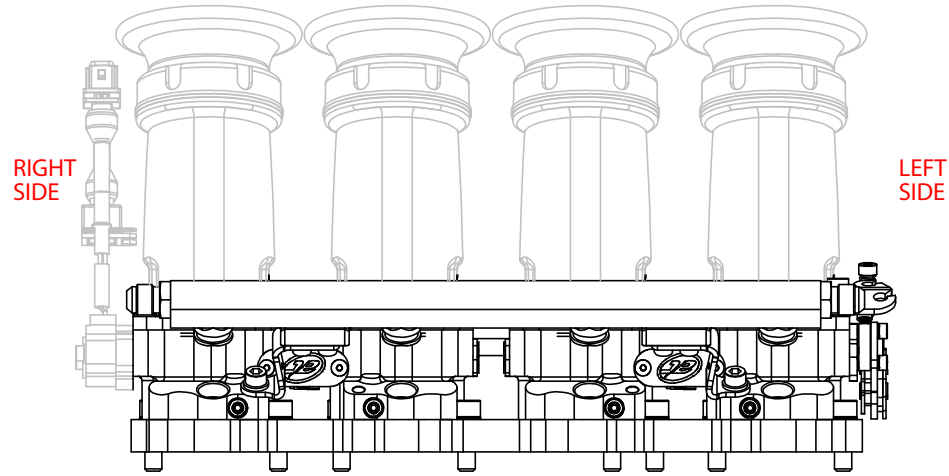


 S-CAN 3D Ltd Bunn's Bank Ind Est Attleborough NR17 1QD	 THIRD ANGLE PROJECTION		MATERIAL	SEE COMPONENT PARTS
	SCALE 1:2	WEIGHT 2.0 kg	FINISH	SEE COMPONENT PARTS
UNLESS OTHERWISE STATED: DIMENSIONS IN MILLIMETRES TOLERANCES: LINEAR $\pm 0.1$ ANGULAR $\pm 0.5^\circ$ SURFACE FINISH $\sqrt{=}$ DRAWING STANDARDS TO ATQS 6003 DATE FORMAT: DD/MM/YY THIS DESIGN IS THE PROPERTY OF S-CAN 3D LTD AND MUST NOT BE REPRODUCED OR COMMUNICATED WITHOUT AUTHORITY	DRAWN- S.HOW	DATE- 22/03/21	DRAWING TITLE	
	CHECKED - S.HOW	APPROVED - S.HOW	ASSY - HOUSING - TWIN - VW - ABF	
	CAD PLOT DO NOT SCALE	DRAWING NUMBER		102-104-00043
			SHEET 2 OF 2 A3	

# Select Cable Pull or Drive-By-Wire

## Cable Pull Linkage

All Linkage suitable for AT Power's 3m Motorsport Throttle Nipple Cable (Sold Separately)



## DBW (Drive-By-Wire) Actuator Mounting:

