
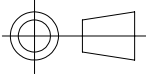


SECTION B-B

NOTE:
 1. FOR TPS PIN OUT DETAIL SEE TPS DATA SHEET
 2. FOR MOTOR:
 + = RED
 - = BLACK

 S-CAN 3D Ltd Bunn's Bank Ind Est Attleborough NR17 1QD	 THIRD ANGLE PROJECTION	MATERIAL	SEE COMPONENT PARTS
		FINISH	SEE COMPONENT PARTS
UNLESS OTHERWISE STATED: DIMENSIONS IN MILLIMETRES TOLERANCES: LINEAR ± 0.1 ANGULAR ± 0.5° SURFACE FINISH ✓ = ✓ DRAWING STANDARDS TO ATQS 6003 DATE FORMAT: DD/MM/YY THIS DESIGN IS THE PROPERTY OF AT POWER THROTTLES LTD AND MUST NOT BE REPRODUCED OR COMMUNICATED WITHOUT AUTHORITY	SCALE	1:2	DRAWING TITLE DBW SINGLE THROTTLE - 68 BORE- 78 DIA HOSE INLET
	WEIGHT	1.0 kg	
	DRAWN-	S.HOW	
	DATE -	14/06/21	DRAWING NUMBER
	CHECKED -	S.HOW	102-106-00059
	APPROVED -	A.CLIFTON	