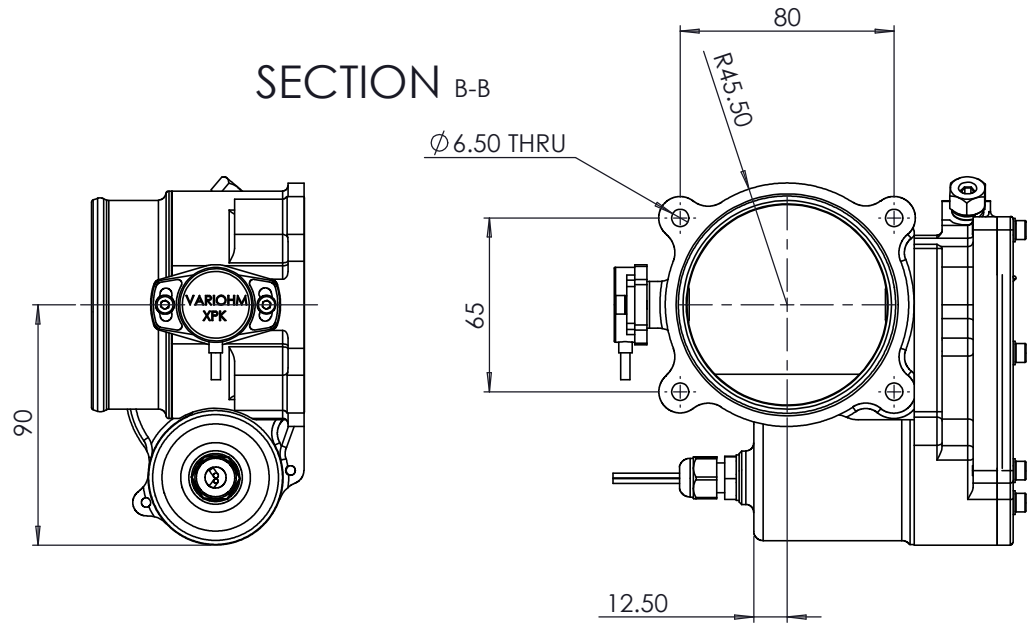


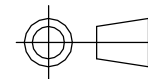
SECTION B-B



- NOTE:
- FOR TPS PIN OUT DETAIL SEE TPS DATA SHEET.
  - FOR MOTOR :
    - + = RED
    - = BLACK



S-CAN 3D Ltd  
Bunns Bank Ind Est  
Attleborough NR17 1QD



THIRD ANGLE PROJECTION

SCALE 1:2 WEIGHT 1.0 kg

DRAWN- S.HOW

DATE - 15/06/21

CHECKED - S.HOW

APPROVED - A.CLIFTON

MATERIAL

SEE COMPONENT PARTS

FINISH

SEE COMPONENT PARTS

DRAWING TITLE

DBW SINGLE THROTTLE - 75  
BORE- 78 DIA HOSE INLET

DRAWING NUMBER

102-106-00063

SHEET 2 OF 2 A3