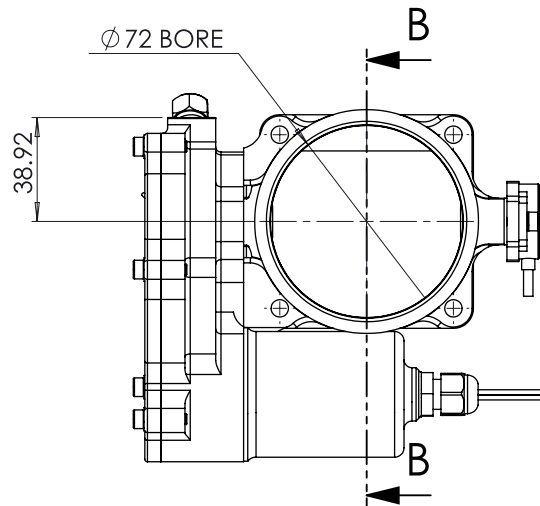
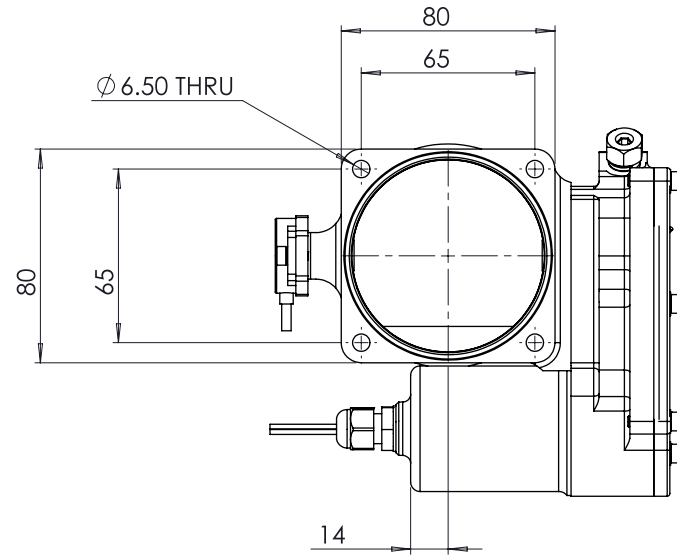
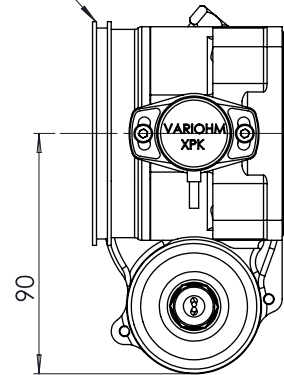



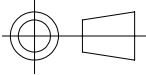
SECTION B-B



WIGGINS FITTING



NOTE:
 1. FOR TPS PIN OUT DETAIL SEE TPS DATA SHEET.
 2. FOR MOTOR :
 + = RED
 - = BLACK

 S-CAN 3D Ltd Bunn's Bank Ind Est Attleborough NR17 1QD	 THIRD ANGLE PROJECTION	MATERIAL	SEE COMPONENT PARTS	
		FINISH	SEE COMPONENT PARTS	
UNLESS OTHERWISE STATED: DIMENSIONS IN MILLIMETRES TOLERANCES: LINEAR ± 0.1 ANGULAR $\pm 0.5^\circ$ SURFACE FINISH $\checkmark = \checkmark$ DRAWING STANDARDS TO ATQS 6003 DATE FORMAT: DD/MM/YY THIS DESIGN IS THE PROPERTY OF AT POWER THROTTLES LTD AND MUST NOT BE REPRODUCED OR COMMUNICATED WITHOUT AUTHORITY	SCALE	1:2	WEIGHT	0.9 kg
	DRAWN-	S.HOW		
	DATE -	15/06/21		
	CHECKED -	S.HOW		
	APPROVED -	A.CLIFTON		
		DRAWING TITLE	DBW SINGLE THROTTLE - 72 BORE- 80 DIA WIGGINS FITTING	
		DRAWING NUMBER	102-106-00065	
			SHEET 2 OF 2 A3	