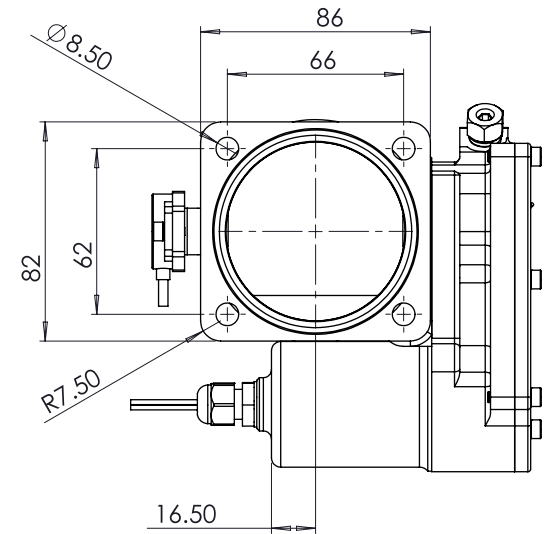
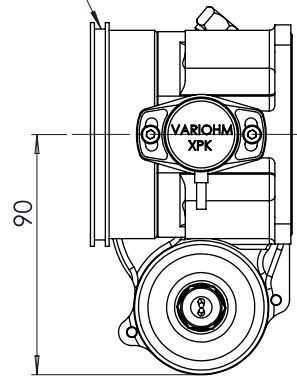
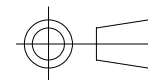


WIGGINS FITTING



S-CAN 3D Ltd
Bunns Bank Ind Est
Attleborough NR17 1QD



THIRD ANGLE PROJECTION

SCALE 1:2 WEIGHT 1.0 kg

DRAWN- S.HOW

DATE - 15/06/21

CHECKED - S.HOW

APPROVED - A.CLIFTON

MATERIAL

SEE COMPONENT PARTS

FINISH

SEE COMPONENT PARTS

DRAWING TITLE

**DBW SINGLE THROTTLE - 67
BORE- 80 DIA WIGGINS
FITTING**

DRAWING NUMBER

102-106-00067

UNLESS OTHERWISE STATED:
DIMENSIONS IN MILLIMETRES
TOLERANCES: LINEAR ± 0.1 ANGULAR ± 0.5°
SURFACE FINISH ✓ = ✓
DRAWING STANDARDS TO ATQS 6003
DATE FORMAT: DD/MM/YY

THIS DESIGN IS THE PROPERTY OF
AT POWER THROTTLES LTD AND
MUST NOT BE REPRODUCED OR
COMMUNICATED WITHOUT
AUTHORITY

CAD PLOT
DO NOT
SCALE

NOTE:
1. FOR TPS PIN OUT DETAIL SEE TPS DATA SHEET.
2. FOR MOTOR :
+ = RED
- = BLACK