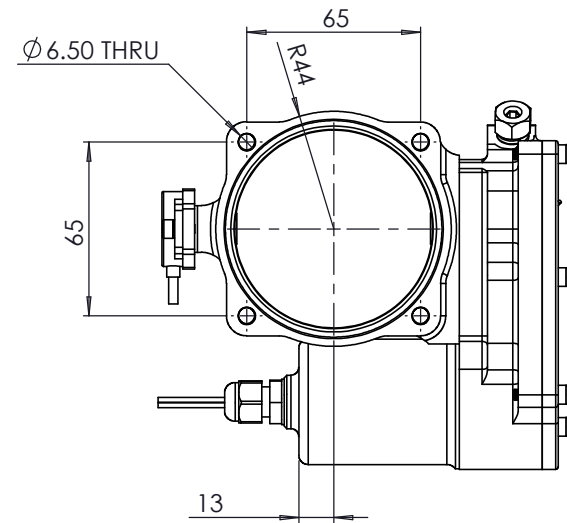
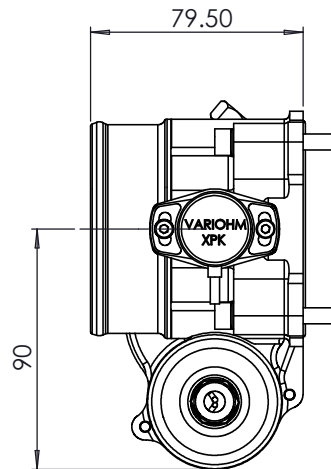
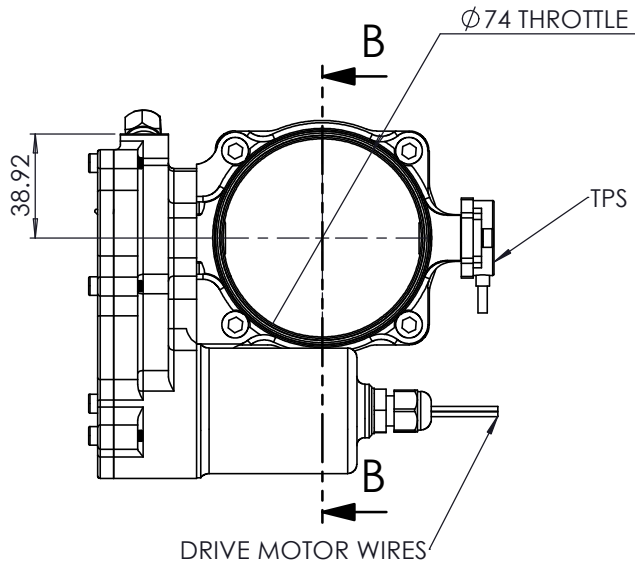

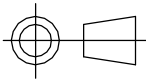


SECTION B-B



NOTE:  
 1. FOR TPS PIN OUT DETAIL SEE TPS DATA SHEET.  
 2. FOR THE MOTOR :  
 + = RED  
 - = BLACK  
 WILL OPEN THE THROTTLE.  
 REVERSE POLARITY WILL CLOSE THE THROTTLE

 <b>S-CAN 3D Ltd</b> Bunn's Bank Ind Est Attleborough NR17 1QD	 THIRD ANGLE PROJECTION	MATERIAL	SEE COMPONENT PARTS
		FINISH	SEE COMPONENT PARTS
UNLESS OTHERWISE STATED: DIMENSIONS IN MILLIMETRES TOLERANCES: LINEAR ± 0.1 ANGULAR ± 0.5° SURFACE FINISH ✓ = √ DRAWING STANDARDS TO ATQS 6003 DATE FORMAT: DD/MM/YY THIS DESIGN IS THE PROPERTY OF S-CAN 3D LTD AND MUST NOT BE REPRODUCED OR COMMUNICATED WITHOUT AUTHORITY	SCALE	WEIGHT	DRAWING TITLE
	1:2	0.9 kg	
	DRAWN-	S.HOW	DATE -
CHECKED -	S.HOW	DRAWING NUMBER	102-106-00068
APPROVED -	A.CLIFTON	SHEET 2 OF 2 A3	