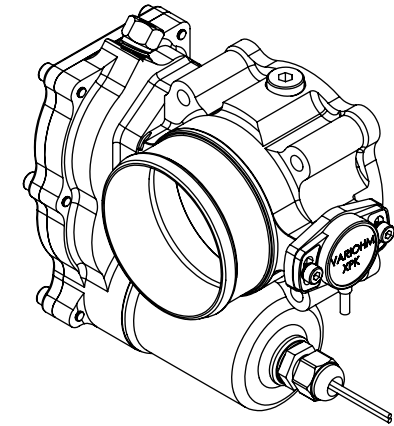
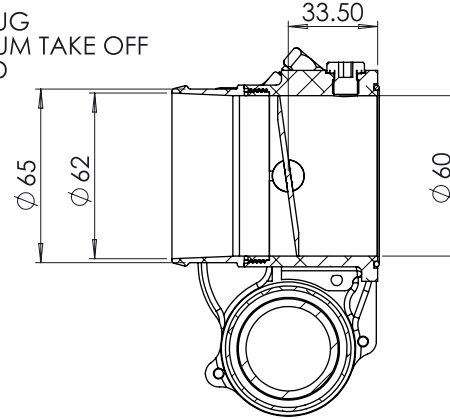
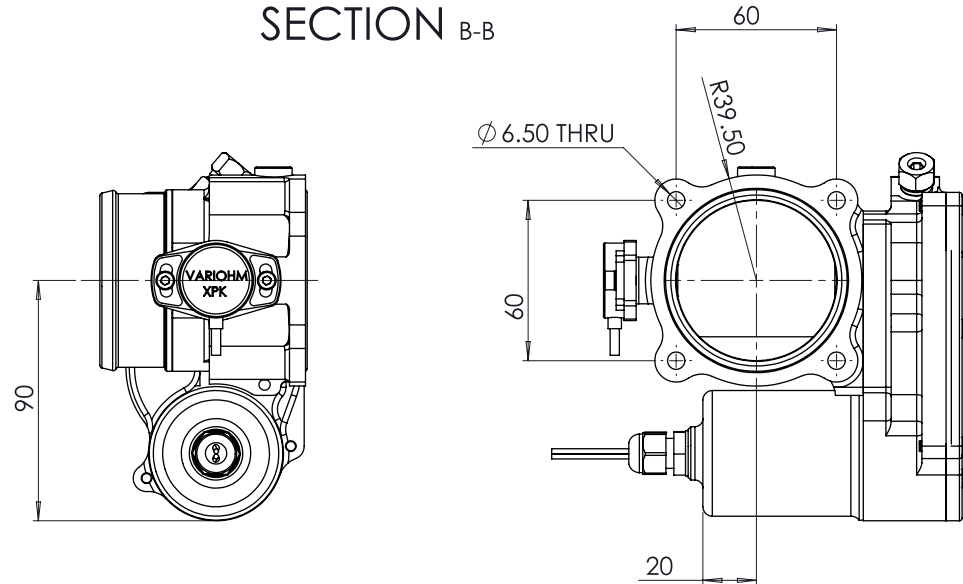
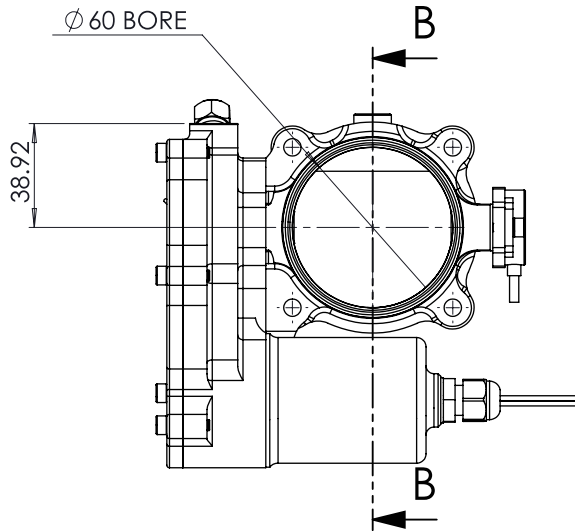


1/8" BSP PLUG
FOR VACUUM TAKE OFF
IF REQUIRED



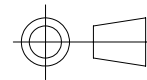
SECTION B-B



- NOTE:
 1. FOR TPS PIN OUT DETAIL SEE TPS DATA SHEET
 2. FOR MOTOR:
 + = RED
 - = BLACK



S-CAN 3D Ltd
 Bunn's Bank Ind Est
 Attleborough NR17 1QD



THIRD ANGLE PROJECTION

SCALE 1:2 WEIGHT 0.9 kg

DRAWN- S.HOW

DATE - 15/06/21

CHECKED - S.HOW

APPROVED - A.CLIFTON

UNLESS OTHERWISE STATED:
 DIMENSIONS IN MILLIMETRES
 TOLERANCES: LINEAR ± 0.1 ANGULAR ± 0.5°
 SURFACE FINISH √ = √
 DRAWING STANDARDS TO ATQS 6003
 DATE FORMAT: DD/MM/YY

THIS DESIGN IS THE PROPERTY OF
 AT POWER THROTTLES LTD AND
 MUST NOT BE REPRODUCED OR
 COMMUNICATED WITHOUT
 AUTHORITY

CAD PLOT
 DO NOT
 SCALE

MATERIAL

SEE COMPONENT PARTS

FINISH

SEE COMPONENT PARTS

DRAWING TITLE

DBW SINGLE THROTTLE - 60
 BORE- 65 DIA HOSE INLET

DRAWING NUMBER

102-106-00074